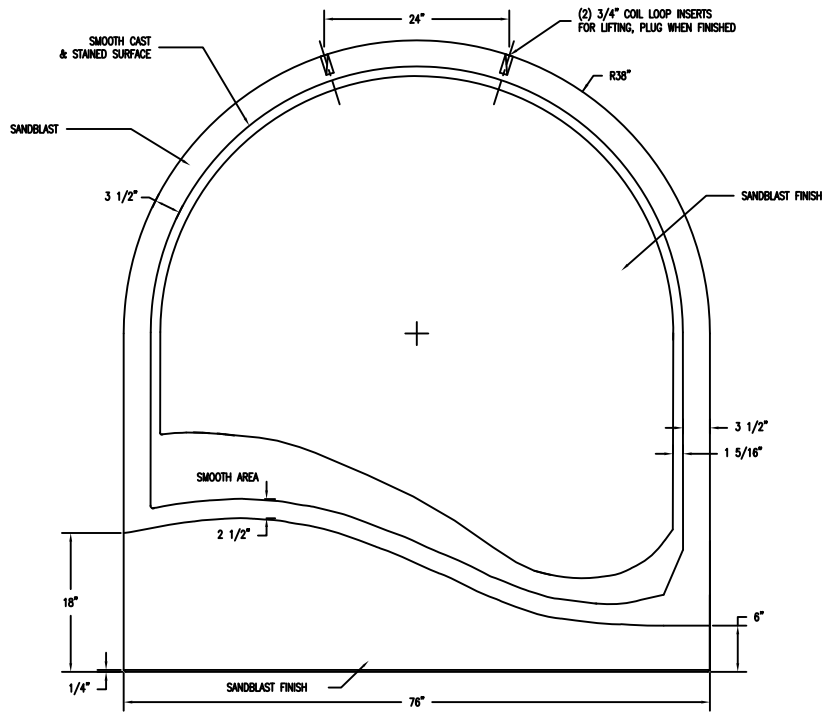
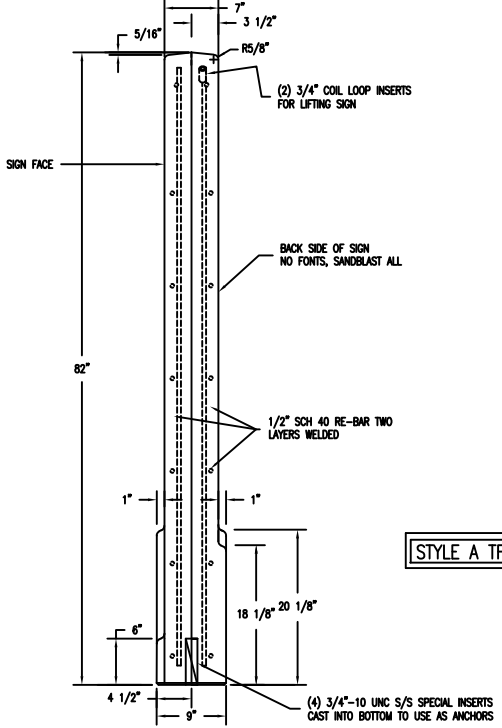


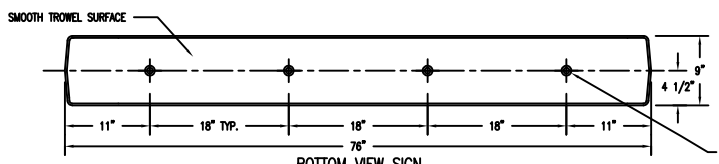
SIGN FACE



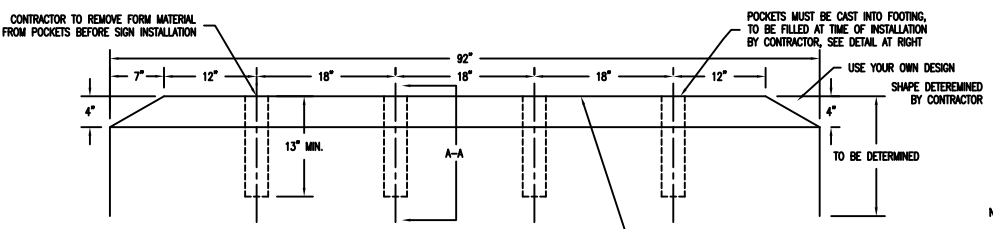
FRONT ELEVATION SIGN



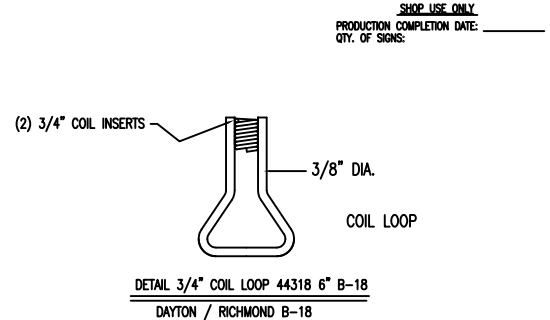
SIDE ELEVATION



BOTTOM VIEW SIGN



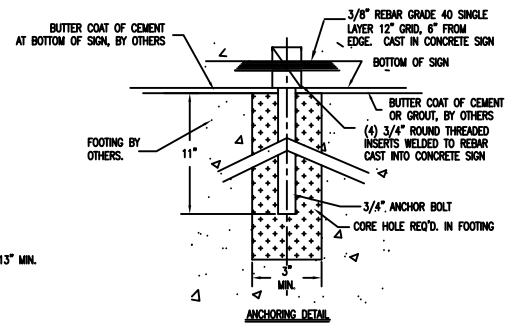
SAMPLE FOOTING DETAIL



DETAIL 3/4 COIL LOOP 44318 6 B-18  
DAYTON / RICHMOND B-18

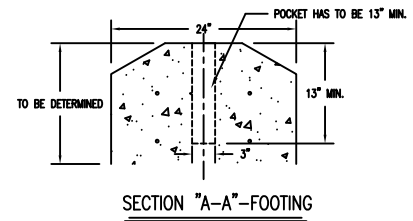
LETTER COLORS TO BE: XXXXXXXX  
USE WAUSAU TILE'S COLOR CHART FOR STAIN COLOR SELECTION  
ART WORK MUST BE SENT IN AT THIS TIME, IF REQUIRED.

STYLE A TF8004 SINGLE SIGN



- (4) 3/4" THREADED INSERTS REQ'D.
- (4) 3/4" THREADED BOLTS 12" L.C. REQ'D.
- (2) 3/4" COIL LOOP LIFTING INSERTS REQ'D.
- (2) 7/8" PLASTIC PLUGS FOR LIFTING INSERTS PP11121

NOTE: APPROX. WEIGHT 3,700#



SECTION "A-A" - FOOTING

NOTE: USE GRAY ANTI-SEIZE ON ALL STAINLESS STEEL INSERTS BEFORE PUTTING IN BOLTS, PART NO. 62525 FASTENAL COMPANY 1 LB. CAN

TF8003 SIGN STYLE A SINGLE SIDED

**CONFIDENTIAL INFORMATION**  
These drawings, specifications and the other information and documents accompanying them are the confidential and proprietary property of Wausau Tile, Inc. The drawings themselves shall belong to the owner for use only on this project. Any additional use shall require the prior written approval of Wausau Tile, Inc. The proprietary information contained within the drawings and the documents is and shall remain the sole property of Wausau Tile, Inc.

NOTE: FOOTING BY OTHERS  
SOIL CONDITIONS MAY VARY  
CONTACT LOCAL GOVERNMENT  
OFFICE FOR BUILDING CODES  
IN YOUR AREA.

WAUSAU TILE IS NOT RESPONSIBLE  
FOR FOOTINGS.

FONT:

WAUSAU TILE'S SITE FURNISHINGS					P.O. BOX 520 BIRDALE, WISCONSIN 54601-0520 (608) 786-6700 P.O. BOX 97 BIRDALE, CALIFORNIA 92309 (949) 252-4520	
REVISIONS			DRAWN BY	JOB		
NO.	DATE	BY	NO.	DATE	TITLE	JOB NO.
1			4			
2			5			
3			6			
				SCALE		LOCATION:
						WEIGHT
						UNLESS OTHERWISE SPECIFIED DIMENSIONS ARE IN INCHES FINISH OPTIONS
						DATE
						MATERIAL:
						DWG. NO.