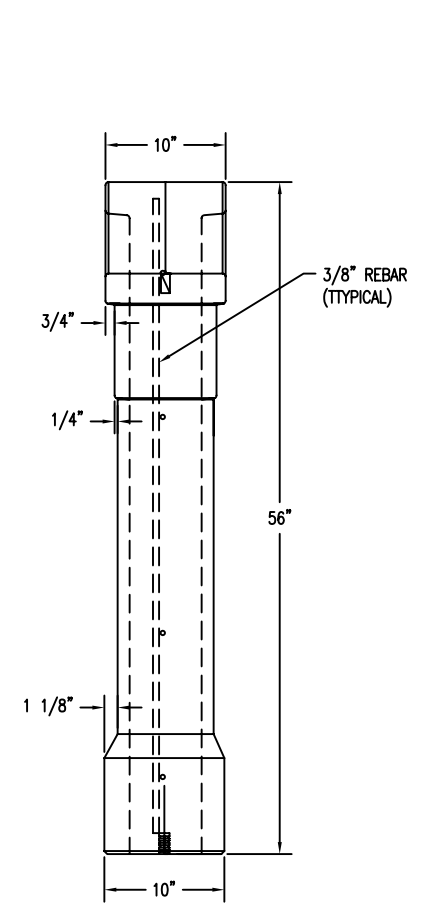
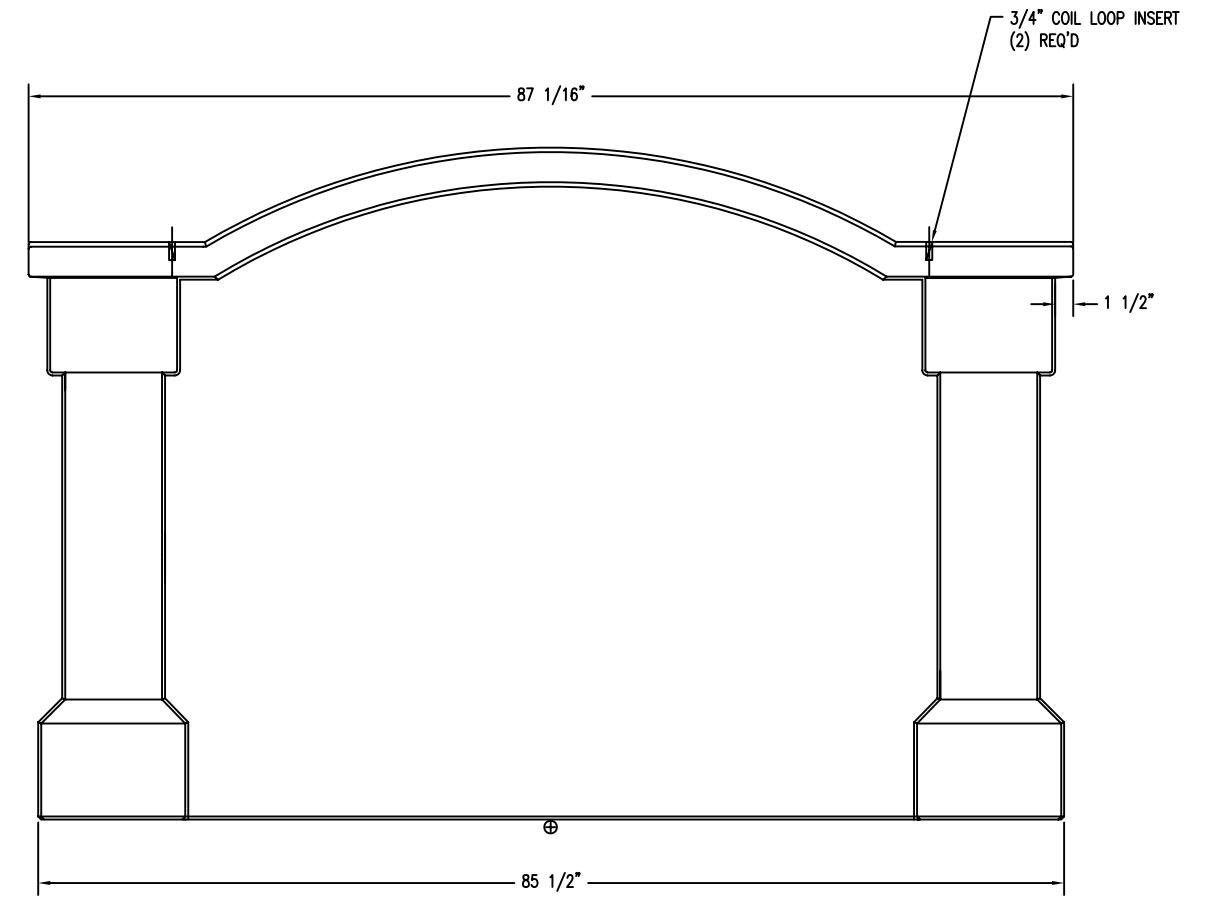


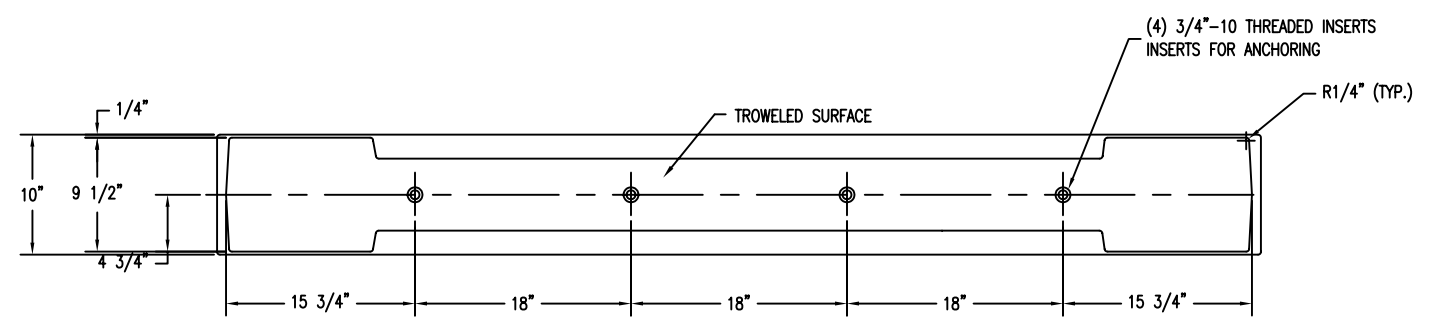
FRONT VIEW



END VIEW



BACK VIEW



BOTTOM VIEW

STYLE B DOUBLE SIDED SIGN

FONT: _____

LETTERING TO BE STAINED: _____

FINISH OF ENTIRE SIGN
TO BE SANDBLASTED
EXCEPT WHERE NOTED

SIGN TO BE _____ COLOR

PLEASE VERIFY
COLOR AND FINISH OF SIGN
COLOR OF LETTERING / ARTWORK
WORDING AND SPELLING

SIGNATURE: _____

NAME: _____

DATE: _____

HARDWARE INCLUDED FOR MOUNTING
(4) 3/4"-10 THREADED BOLTS S/S 12" LG. REQ'D.

WAUSAU TILE SITE FURNISHINGS						P.O. BOX 1520 WAUSAU, WISCONSIN 54402-1520 800/388-8728		P.O. BOX 967 BANNING, CALIFORNIA 92220 800/231-8836	
REVISIONS			DRAWN BY		JOB		MATERIAL		
			MJS				CONCRETE		
NO.	DATE	BY	NO.	DATE	BY	TITLE	JOB NO.		WEIGHT
1			4						2,600 LBS.
2			5			SCALE	UNLESS OTHERWISE SPECIFIED DIMENSIONS ARE IN INCHES		FINISH OPTIONS
						1/8	DATE 05/25/07		DWG. NO.
3			6				2 PL. ±0.01 3 PL. ±0.005		TF8003