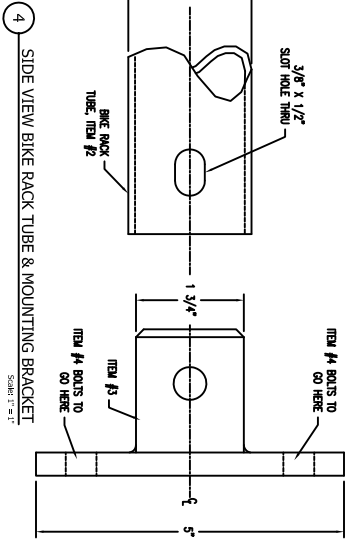
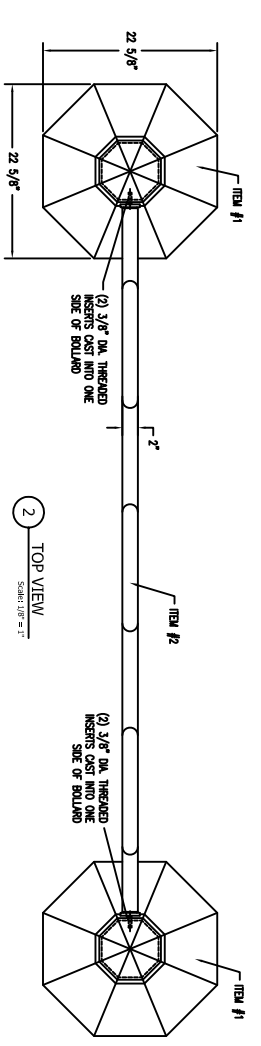
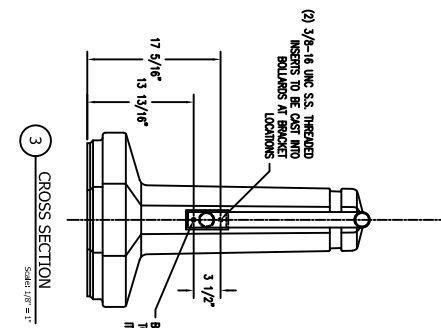
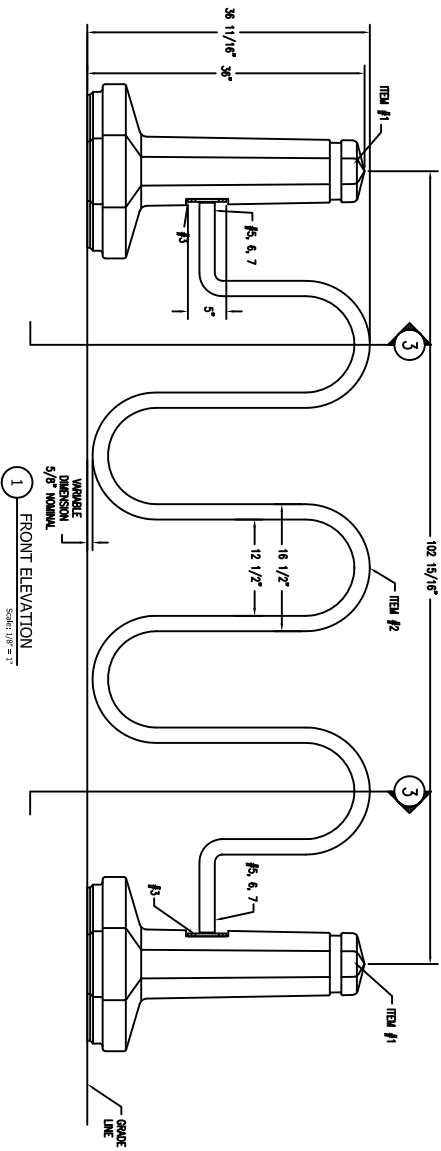


TF7193 PARTS SCHEDULE			
ITEM NO.	DESCRIPTION	PART NO.	QTY
1	BOULIARD 8" DIA. X 22" DIA. 36" TALL WITH (2) 3/8-16 UNC S.S. THREADED INSERTS ON ONE SIDE	TF6097M	2
2	BIKE RACK TUBE, BENT PIPE 2" TUBE GALVANIZED COATED, .109 WALL THICKNESS	TF9022	1
3	WELDED STEEL BRACKET	TF9022.1	2
4	3/8" BOLTS X 1 1/4"	400020	4
5	3/8" X 7/8" O.D. FLAT WASHER	RM10195	2
6	3/8" BOLTS X 2 3/4"	400010	2
7	3/8-16 HEX NUT	PP10095	2
8	5/16 HEX WRENCH TAMPERPROOF	400005	1



WALSBU TUBE		JOB		DATE	
1	DESIGN	DATE	6/28/11	DATE	
2	UPDATED STEEL TUBE LENGTHS AND RECESS POCKETS IN BOULIARDS	DATE		DATE	
3		DATE		DATE	
4		DATE		DATE	

DESIGNER	DATE	SCALE	AS NOTED	DATE	10/13/10	CHK. NO.	1 OF 1
DRAWN BY	DATE	SCALE	AS NOTED	DATE		CHK. NO.	

1. ALL DIM. UNLESS OTHERWISE SHOWN ARE IN INCHES	WORKMAN, CONCRETE & STEEL
2. ALL DIMENSIONS TO FACE UNLESS OTHERWISE NOTED	REBAR
3. ALL DIMENSIONS TO CENTERLINE UNLESS OTHERWISE NOTED	REBAR
4. ALL DIMENSIONS TO CENTERLINE UNLESS OTHERWISE NOTED	REBAR
5. ALL DIMENSIONS TO CENTERLINE UNLESS OTHERWISE NOTED	REBAR
6. ALL DIMENSIONS TO CENTERLINE UNLESS OTHERWISE NOTED	REBAR
7. ALL DIMENSIONS TO CENTERLINE UNLESS OTHERWISE NOTED	REBAR
8. ALL DIMENSIONS TO CENTERLINE UNLESS OTHERWISE NOTED	REBAR
9. ALL DIMENSIONS TO CENTERLINE UNLESS OTHERWISE NOTED	REBAR
10. ALL DIMENSIONS TO CENTERLINE UNLESS OTHERWISE NOTED	REBAR