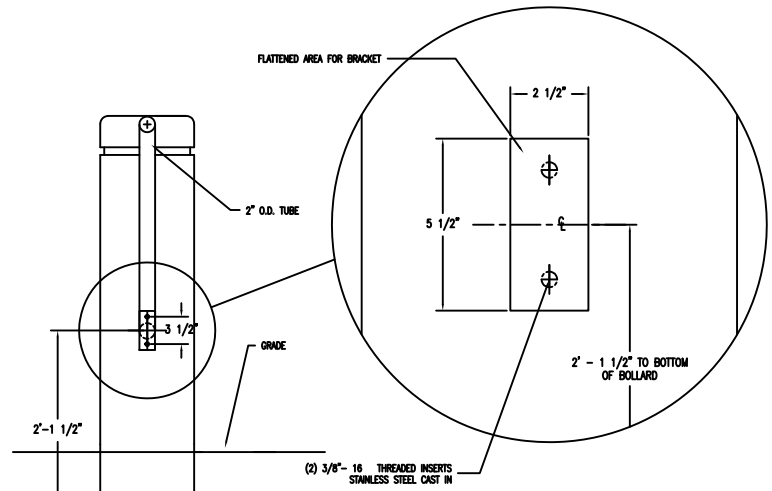
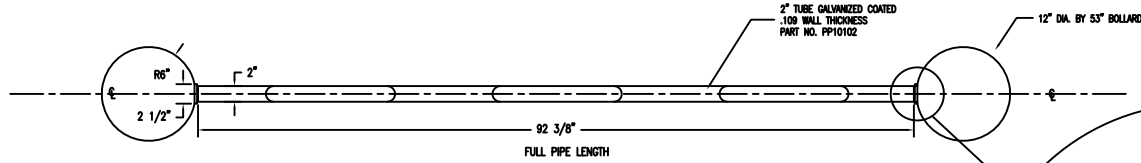


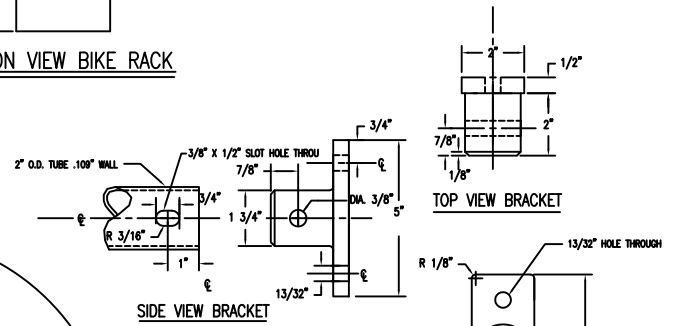
**SIDE VIEW BIKE RACK**



**SECTION VIEW BIKE RACK**



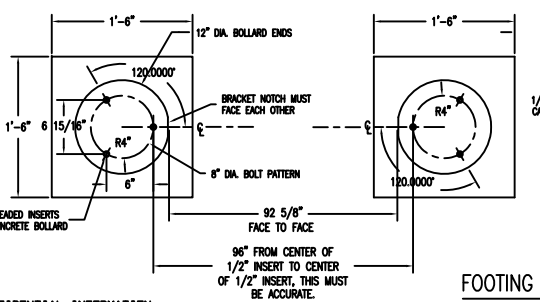
**TOP VIEW BIKE RACK**



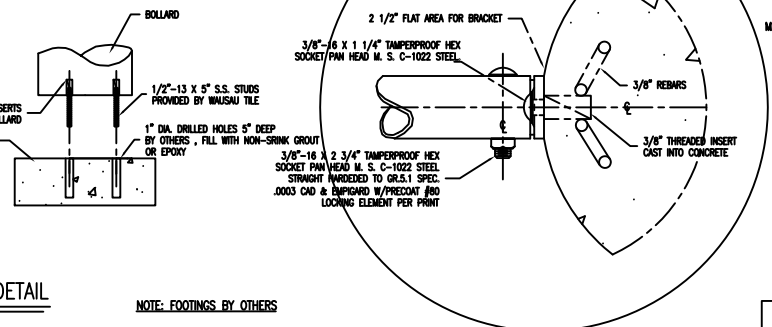
**TOP VIEW BRACKET**

**SIDE VIEW BRACKET**

**FRONT VIEW BRACKET**



**FOOTING ANCHOR DETAIL**



MATERIAL: CAST ALUMINUM  
DOCK ANCHOR PART NO. PP-10103

**HARDWARE:**

- 6- 1/2"-13 x 5" STAINLESS STEEL READY ROD ANCHORS
- 4- 3/8"-16 x 1 1/4" TAMPERPROOF HEX SOCKET PAN HEAD M. S. C-1022 STEEL
- 2- 3/8"-16 x 2 3/4" SPECIAL TAMPERPROOF HEX SOCKET PAN HEAD M. S. STEEL STRAIGHT HARDENED TO GR.5.1 SPEC .0003 CAD & EMPIGARD W/PRECOAT #60 LOCKING ELEMENT.
- 2- 3/8"-16 STAINLESS STEEL NUTS
- 2- WELDED STEEL BRACKETS MFG. BY OEM CO. WAUSAU, WI. PART NO. TF9022-1
- 1- 2" DIA. STEEL TUBE GALVANISED .109 WALL THICKNESS BENT TO SPEC. MFG. BY

**CONFIDENTIAL INFORMATION**

These drawings, specifications and the other information and documents accompanying them are the confidential and proprietary property of Wausau Tile, Inc. The drawings themselves shall belong to the owner for use only on this project. Any additional use shall require the prior written approval of Wausau Tile, Inc. The proprietary information contained within the drawings and the documents is and shall remain the sole property of Wausau Tile, Inc.

**NOTE: FOOTINGS BY OTHERS**

SOIL CONDITIONS MAY VARY  
CONTACT LOCAL GOVERNMENT  
OFFICE FOR BUILDING CODE  
IN YOUR AREA.  
WAUSAU TILE IS NOT RESPONSIBLE  
FOR FOOTINGS.

HARDWARE BOX NO. IS PM-10-287 FOR ALL HARDWARE

REVISIONS				JOB BIKE DOCK WITH BOLLARDS		LOCATION	
NO.	DATE	BY	NO.	DATE	ARCHITECT	DATE	SHEET 1 OF 2
1		4			RFH	DEC. 8, 1997	SCALE AS NOTED
2		5			CHKD.	JF	JOB NO.
3		6					DRWG. NO. 997-12-115

**WAUSAU TILE**

P.O. BOX 930 WISCONSIN RECORDS 5400-1400 715/290-3021  
P.O. BOX 987 WAUSAU, CALIFORNIA 92220 714/946-5985