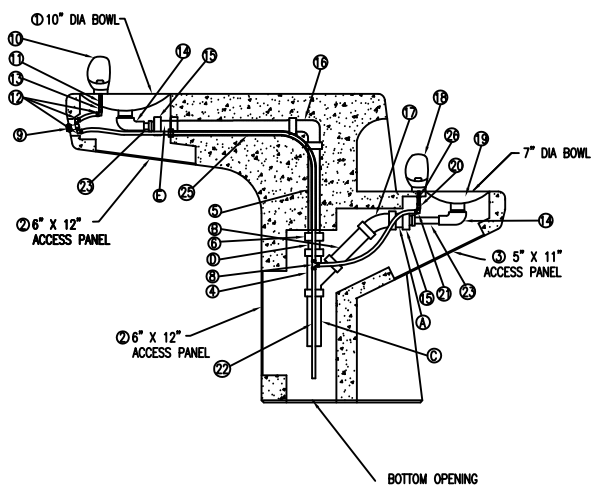
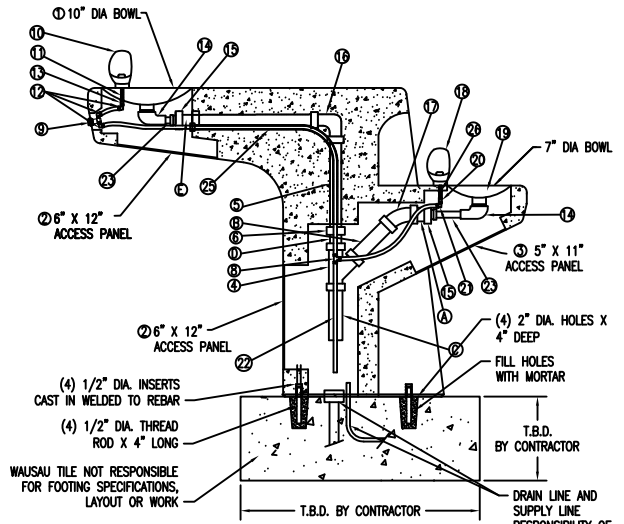


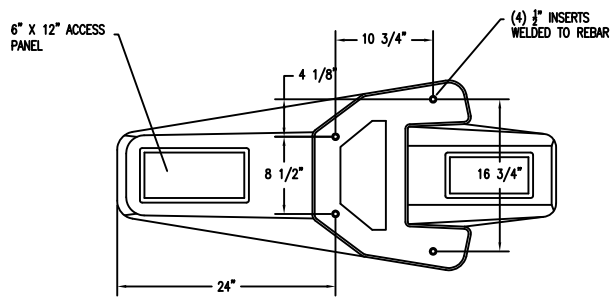
ITEM #	DESCRIPTION	PART #	QTY.
1	10" DIA. BOWL	000100	1
2	6" X 12" ACCESS PANEL	000111	2
3	5" X 11" ACCESS PANEL	000112	1
4	1 1/2" W/40 PVC W/EL	000113	1
5	20' OP 1 1/2" W/40 PVC PIPE	000114	1
6	1 1/2" W/40 PVC COUPLER	000115	2
7	1 1/2" W/40 PVC 90° ELBOW	000116	1
8	1 1/2" SOCKET TO 1 1/4" COMPRESSION RING	000117	2
9	1 1/4" X 12 20-GA TRL EXT TUBE (CUT 11 HALF)	000118	2
10	1/2" ELECTRICAL CONDUIT	000119	30'
11	DRY-SET DRAIN	000120	2
12	7" DIA. BOWL	000121	1
13	3/8" PLASTIC TUBING	000122	20'
14	W/40 BUBBLER CP	000123	1
15	1/2" BUBBLER HD	000124	1
16	3/8" DRON 1/2" PVC HD	000125	1
17	1/4" X 1 1/2" SS SCH40 90° NIP	000126	1
18	PUSH ACTIVATED VLV 55 (WITH TRIM CAP)	000127	1
19	3/8" SS 304 1/2" HD COUP	000128	1
20	1/4" X 1 1/2" SS SCH40 90° NIP	000129	1
21	1/4" BRGS ELBOW 3/8" TUBE FIT	000130	1
22	3/8" BRGS ELBOW 3/8" TUBE FIT	000131	1
23	1 1/2" W/40 PVC 90° SWEEP	000132	1
24	3/8" X 1 1/2" SS SCH40 90° NIP	000133	1



1 SIDE SECTION VIEW  
Scale: 1/8" = 1"



2 SIDE SECTION VIEW  
Scale: 1/8" = 1"



3 BOTTOM VIEW  
Scale: 1/8" = 1"

PLEASE CONTACT YOUR LOCAL GOVERNMENT OFFICE FOR BUILDING CODES IN YOUR AREA  
FOR ADDITIONAL INFORMATION OR A FULL SCALE ANCHOR DETAIL, CONTACT WAUSAU TILE AT 800-388-8728

**DRINKING FOUNTAIN MOUNTING INSTRUCTIONS**

- 1) DRILL HOLES INTO FOOTING PER PATTERN OF INSERTS ON BOTTOM OF FOUNTAIN.
- 2) THREAD (4) 1/2" DIA. ROD INTO (4) INSERTS ON BOTTOM OF FOUNTAIN.
- 3) FILL DRILLED HOLES WITH NON-SHRINK MORTAR OR EPOXY.
- 4) PLACE FOUNTAIN OVER HOLES AND LOWER DOWN TO FOOTING.
- 5) BRACE FOUNTAIN UNTIL MORTAR IS HARDENED

PLEASE CONTACT YOUR LOCAL GOVERNMENT OFFICE FOR BUILDING CODES IN YOUR AREA

WAUSAU TILE SITE FURNISHINGS						P.O. BOX 1250 WAUSAU, WISCONSIN 54980-1250 800/388-8728 P.O. BOX 967 DANBURG, CALIFORNIA 92323 800/257-4533	
REVISIONS			DRAWN BY	L.B.E.	JOB	MATERIAL	
NO.	DATE	BY	NO.	DATE	TITLE	JOB NO.	WEIGHT
1	11/8/11	JFZ	4		SCALE		
2			5		CHECKED	UNLESS OTHERWISE SPECIFIED DIMENSIONS ARE IN INCHES 2 P.L. 20/20 3 P.L. 30/30	DATE FINISH OPTIONS DWG. NO. TF7071
3			6				