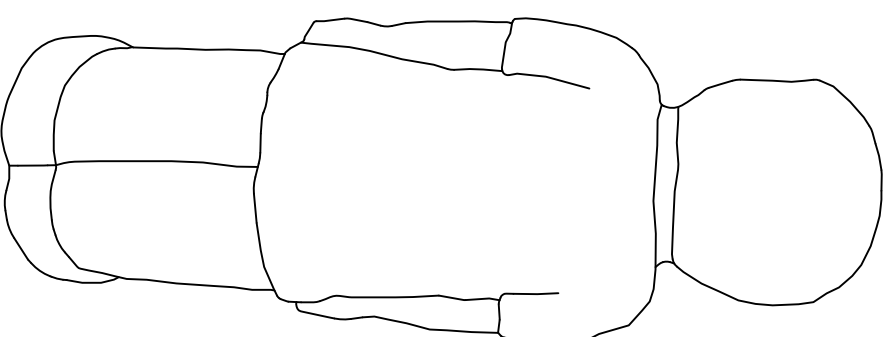


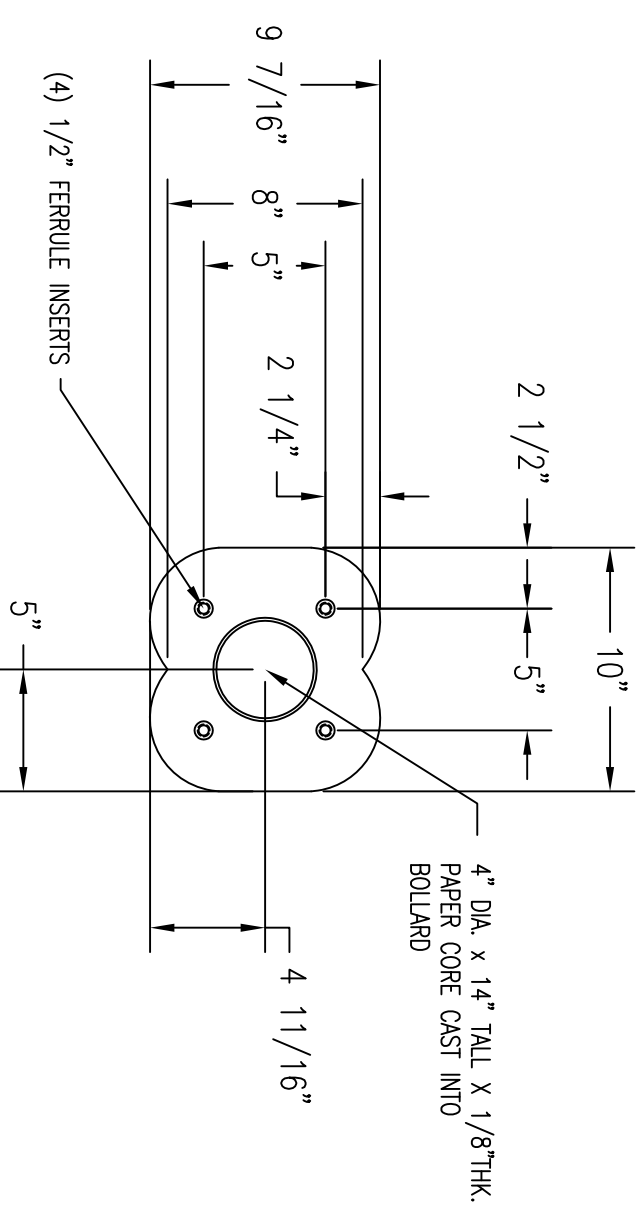
1 FRONT VIEW - MALE

Scale: 1-1/2" = 1'



2 BACK VIEW - MALE

Scale: 1-1/2" = 1'



2 BOTTOM VIEW - MALE

Scale: 1-1/2" = 1'

WAUSAU TILE SITE FURNISHINGS

P.O. BOX 1520 WAUSAU, WISCONSIN 54402-1520 800/388-8728
 E-MAIL: WTILE@WAUSAUTILE.COM
 WEB SITE: WWW.WAUSAUTILE.COM

REVISIONS						DRAWN BY	AKG	JOB	MATERIAL	
NO.	DATE	BY	NO.	DATE	BY	JOB NO.	LOCATION	WEIGHT	ITEM NO.	DWG. NO.
1	2/21/13	AKG	4			SCALE	AS NOTED	225 LBS	TF6315	
2			5			FINISH	OPTIONS			
3			6							

UNLESS OTHERWISE SPECIFIED
 DIMENSIONS ARE IN INCHES
 TOLERANCES: ± 1/8"