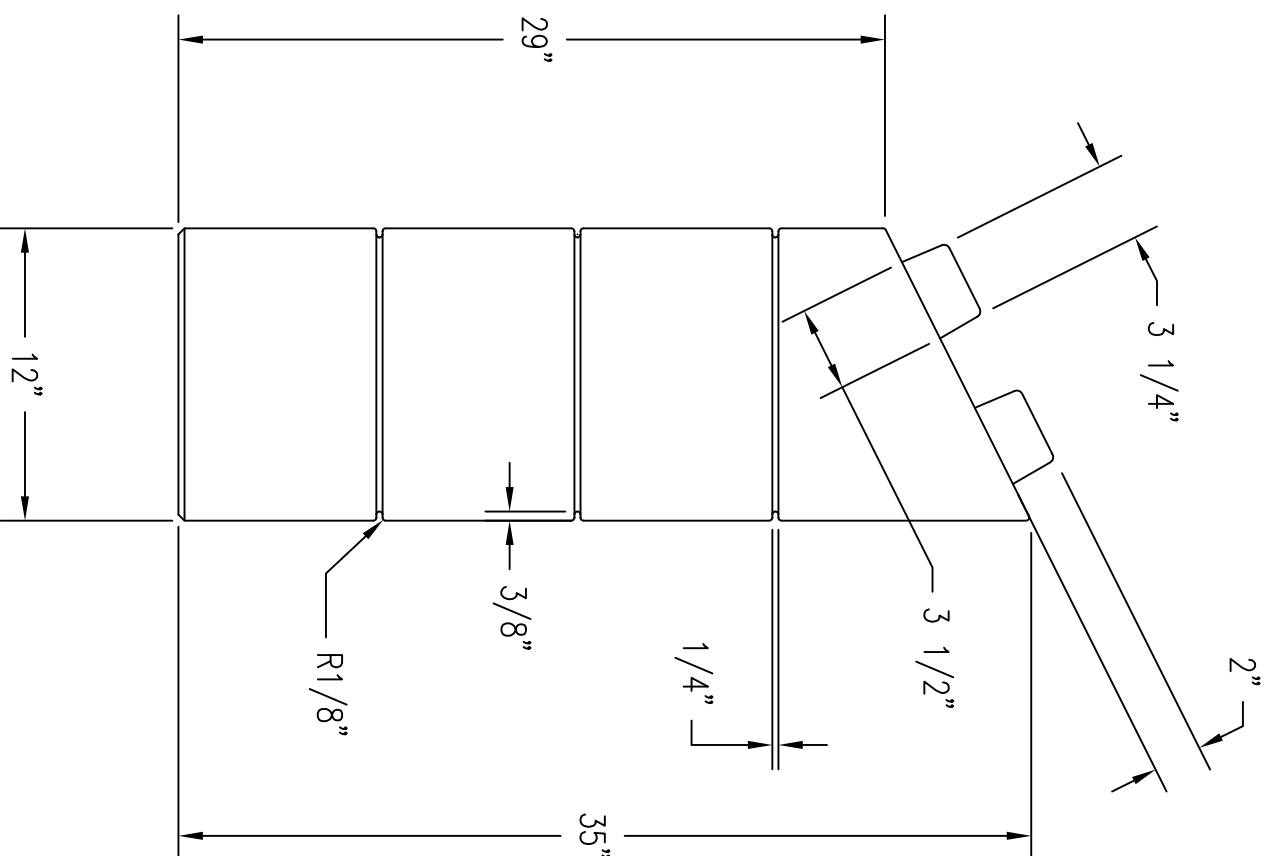
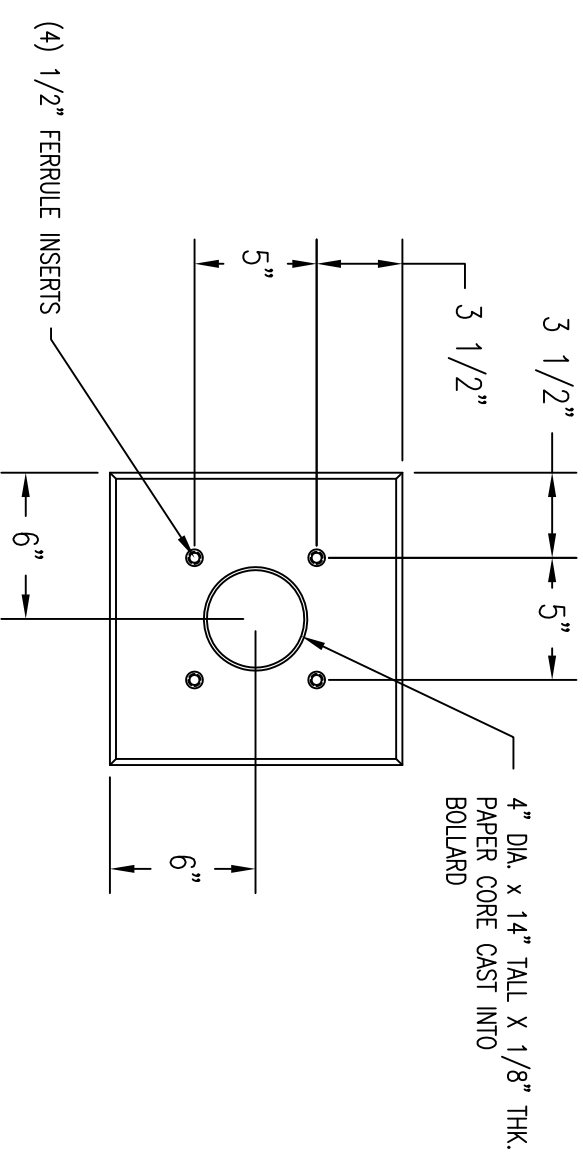


1 FRONT VIEW - BUILDING BLOCKS
Scale: 1-1/2" = 1'



2 FRONT SIDE - BUILDING BLOCKS
Scale: 1-1/2" = 1'



2 BOTTOM VIEW - BUILDING BLOCKS
Scale: 1-1/2" = 1'

WAUSAU TILE SITE FURNISHINGS

P.O. BOX 1520 WAUSAU, WISCONSIN 54402-1520 800/388-8728
E-MAIL: WTTILE@WAUSAUTILE.COM
WEB SITE: WWW.WAUSAUTILE.COM

REVISIONS				DRAWN BY		JOB		MATERIAL	
NO.	DATE	BY	NO.	DATE	BY	NO.	LOCATION	WEIGHT	CONCRETE
1	2/21/13	AKG	4					330 LBS	
2			5						
3			6						

NO.		DATE		BY		JOB		MATERIAL	
1		2/21/13		AKG		4		330 LBS	
2						5			
3						6			

SCALE		JOB NO.		DATE		ITEM NO.	
AS NOTED						TF6314	
FINISH OPTIONS						DWG. NO.	

UNLESS OTHERWISE SPECIFIED DIMENSIONS ARE IN INCHES TOLERANCES: ± 1/8"		DATE		ITEM NO.	
		2/6/13		TF6314	