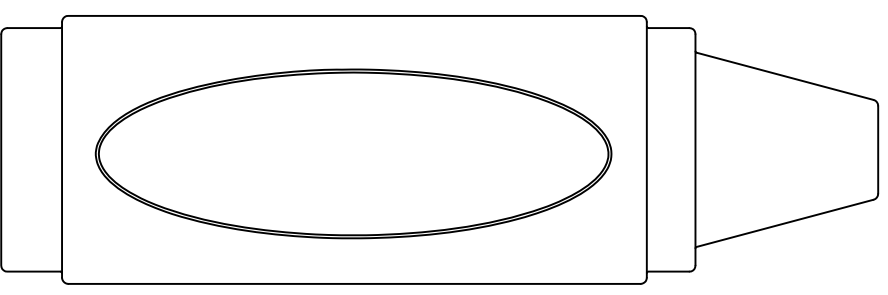
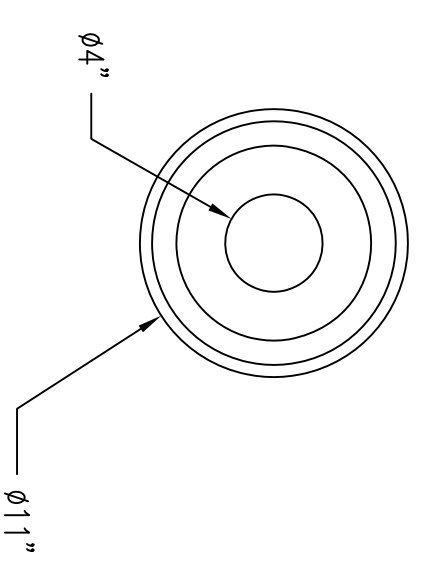


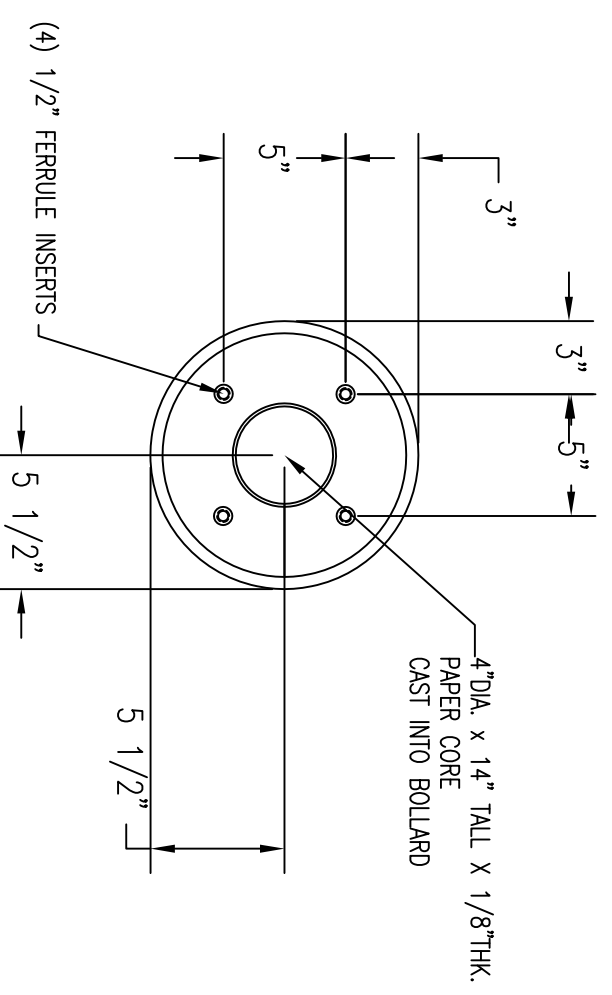
1 FRONT VIEW - CRAYON
Scale: 1-1/2" = 1'



2 BACK VIEW - CRAYON
Scale: 1-1/2" = 1'



3 TOP VIEW - CRAYON
Scale: 1-1/2" = 1'



4 BOTTOM VIEW - CRAYON
Scale: 1-1/2" = 1'

WAUSAU TILE SITE FURNISHINGS

P.O. BOX 1520 WAUSAU, WISCONSIN 54402-1520 800/388-8728
E-MAIL: WTTILE@WAUSAUTILE.COM
WEB SITE: WWW.WAUSAUTILE.COM

REVISIONS				DRAWN BY	AKG	JOB	MATERIAL	
NO.	DATE	BY	NO.	DATE	BY	LOCATION	WEIGHT	CONCRETE
1	2/21/13	AKG	4				190 LBS	
2			5					
3			6					

JOB NO.		AKG	JOB		
SCALE		AS NOTED	UNLESS OTHERWISE SPECIFIED DIMENSIONS ARE IN INCHES TOLERANCES: ± 1/8"		
FINISH OPTIONS			DATE	2/6/13	ITEM NO. TF6310
			DWG. NO.		