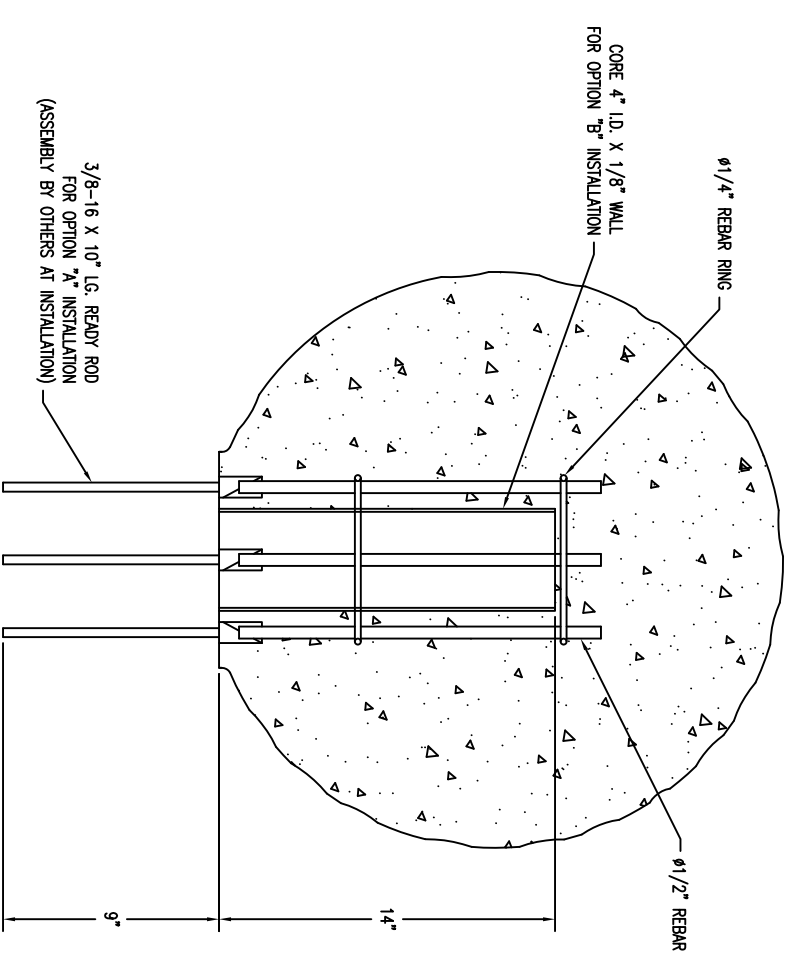
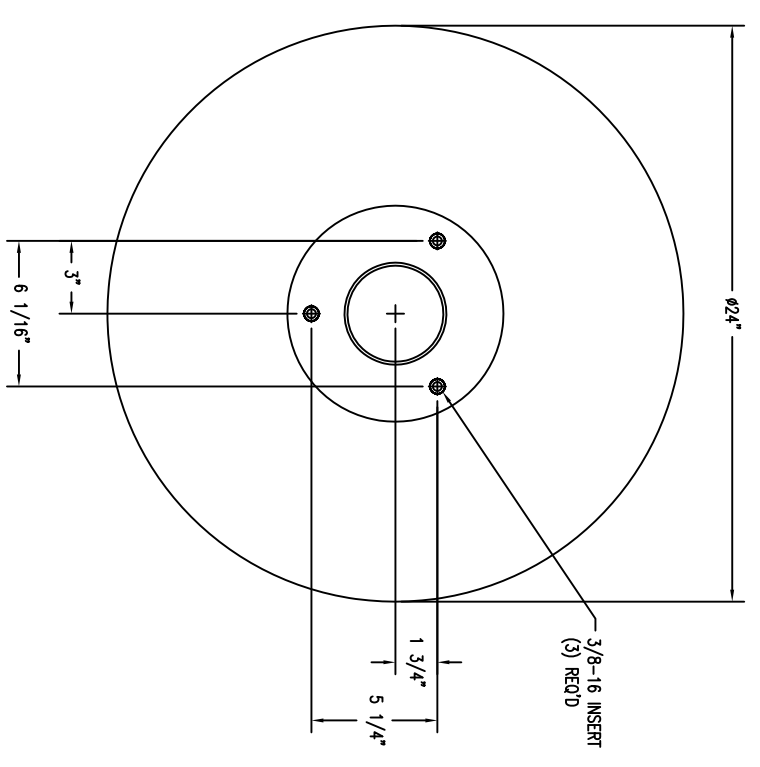


ELEVATION VIEW



SECTION VIEW



BOTTOM VIEW

REVISIONS						DRAWN BY		JOB		MATERIAL	
NO.	DATE	BY	NO.	DATE	BY	TITLE	JOB NO.	WEIGHT	FINISH	DATE	OPTIONS
1			4			Ø24" GOLF BALL BOLLARD		750 LBS.	SMOOTH STAINED WHITE	11/05/07	
2			5			SCALE 1/4"	UNLESS OTHERWISE SPECIFIED DIMENSIONS ARE IN INCHES FINISHES ARE AS SHOWN ON DRAWINGS 2 FT. DIA. 3 FT. DIA.				
3			6			CHECKED 3-12-08					

WAUSAU TILE SITE FURNISHINGS

P.O. BOX 1520 WAUSAU, WISCONSIN 54402-1520 800/298-8728
 E-MAIL: TILES@WAUSAUTILE.COM
 WEB SITE: WWW.WAUSAUTILE.COM

DWG. NO. TF6207