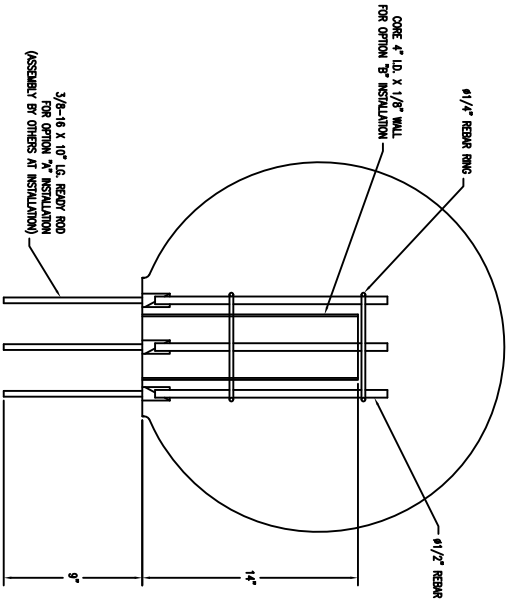
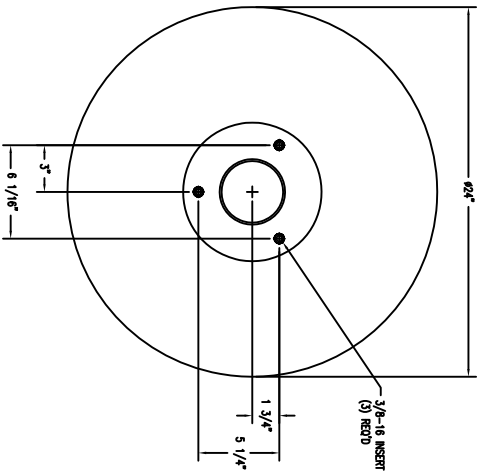


ELEVATION VIEW



SECTION VIEW



BOTTOM VIEW

WATSAU TIRE SITE FURNISHINGS									
REVISIONS		DATE	BY	NO.	DESCRIPTION	DATE	BY	NO.	DESCRIPTION
1									
2									
3									

DATE	11/05/07
SCALE	1/4"
CHECKED	3-12-08
DRAWN BY	WLS
TITLE	42" RISE PAUL BOLLIG
DATE	11/05/07
BY	WLS
NO.	208
DATE	11/05/07
BY	WLS
NO.	208
DATE	11/05/07
BY	WLS
NO.	208
DATE	11/05/07
BY	WLS
NO.	208

DATE	11/05/07
SCALE	1/4"
CHECKED	3-12-08
DRAWN BY	WLS
TITLE	42" RISE PAUL BOLLIG
DATE	11/05/07
BY	WLS
NO.	208
DATE	11/05/07
BY	WLS
NO.	208
DATE	11/05/07
BY	WLS
NO.	208