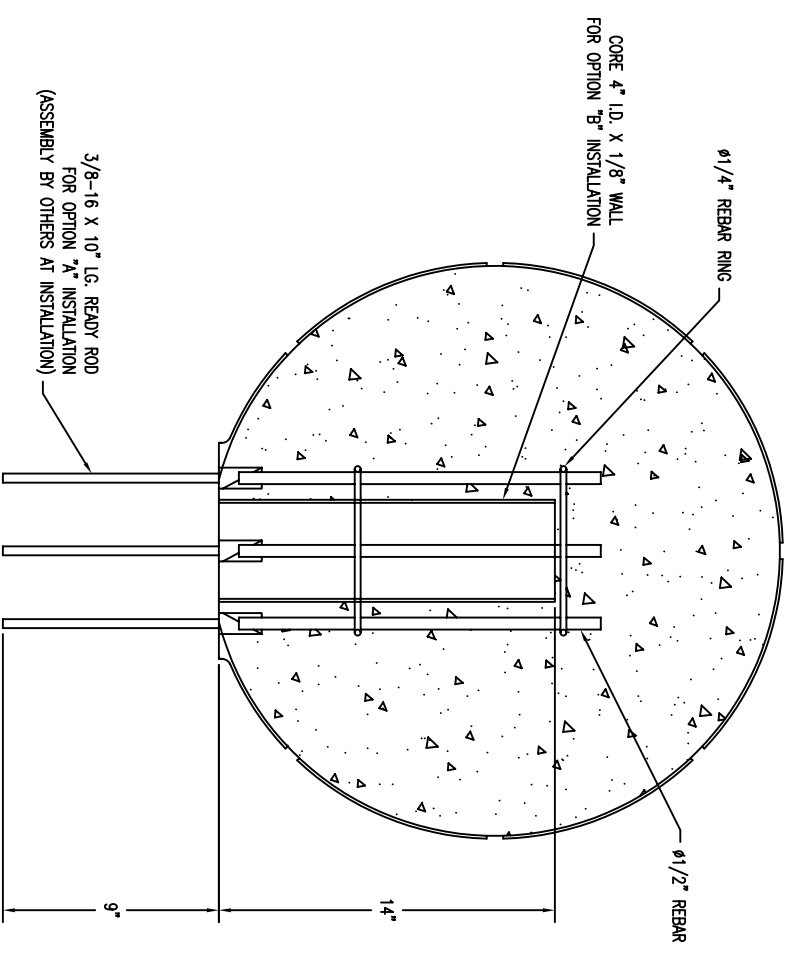
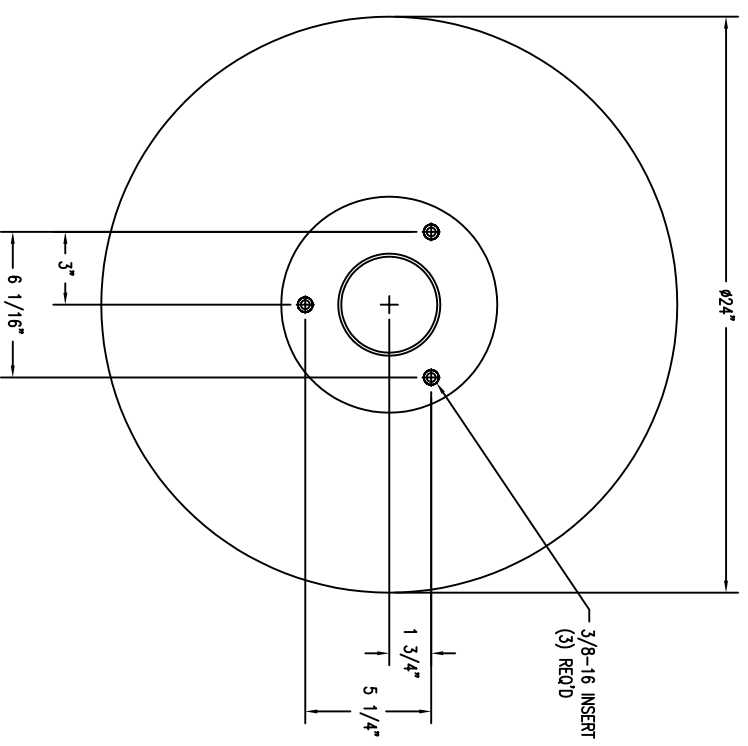


ELEVATION VIEW



SECTION VIEW



BOTTOM VIEW

REVISIONS						DRAWN BY		JOB		MATERIAL	
NO.	DATE	BY	NO.	DATE	BY	TITLE	JOB NO.	WEIGHT	FINISH	DATE	DWG. NO.
1						MJS		CONCRETE		750 LBS.	
2						MJS		UNLESS OTHERWISE SPECIFIED		11/05/07	
3						MJS		DIMENSIONS ARE IN INCHES		SEE NOTE	
						MJS		FRACTIONS 3/16		TF6201	
						MJS		2 FT. EQUAL 3/16			

WAUSAU TILE SITE FURNISHINGS

P.O. BOX 1520 WAUSAU, WISCONSIN 54983-1520 800/298-8728
 E-MAIL: TITELUM@WAUSAUTILE.COM
 WEB SITE: WWW.WAUSAUTILE.COM