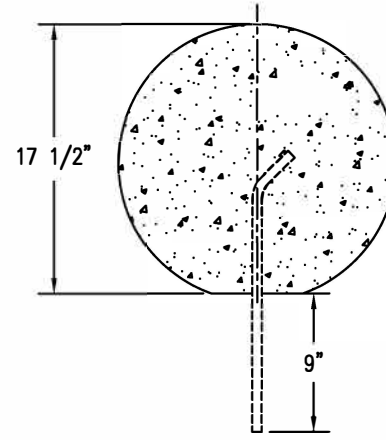
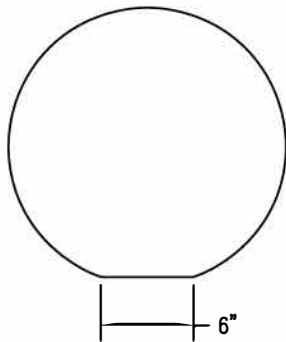


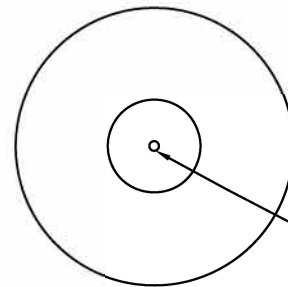
1 TOP VIEW



4 SECTION VIEW



2 ELEVATION VIEW



5/8" SCH 40 RE-BAR  
CAST INTO BOLLARD

3 BOTTOM VIEW



**WAUSAU TILE**

REVISIONS

NO.	NAME	DATE	NOTES
1			
2			
3			
4			
5			
6			
7			
8			

**CONFIDENTIAL INFORMATION**  
THESE DRAWING, SPECIFICATIONS AND OTHER INFORMATION AND DOCUMENTS ACCOMPANYING THEM ARE THE CONFIDENTIAL AND PROPRIETARY PROPERTY OF WAUSAU TILE, INC. THE DRAWINGS THEMSELVES SHALL BELONG TO THE OWNER FOR USE ONLY ON THE PROJECT. ANY ADDITIONAL USE SHALL REQUIRE THE PRIOR WRITTEN APPROVAL OF WAUSAU TILE, INC. THE PROPRIETARY INFORMATION CONTAINED WITHIN THE DRAWINGS AND THE DOCUMENTS IS AND SHALL REMAIN THE SOLE PROPERTY OF WAUSAU TILE, INC.

JOB NAME

ADDRESS  
CITY, STATE ZIP

UNLESS OTHERWISE SPECIFIED  
DIMENSIONS ARE IN INCHES  
FRACTIONS ±1/8"

DRAWN BY: SK

DATE: 6/9/15

CO NUMBER: ?

WEIGHT: 405 LBS

PRODUCT NO.

TF 6098