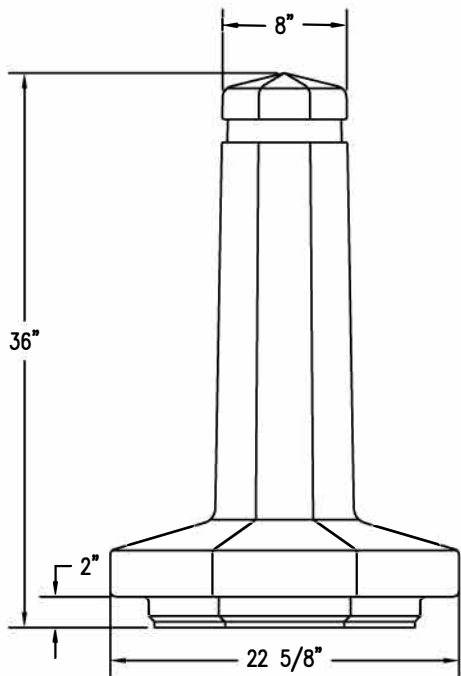
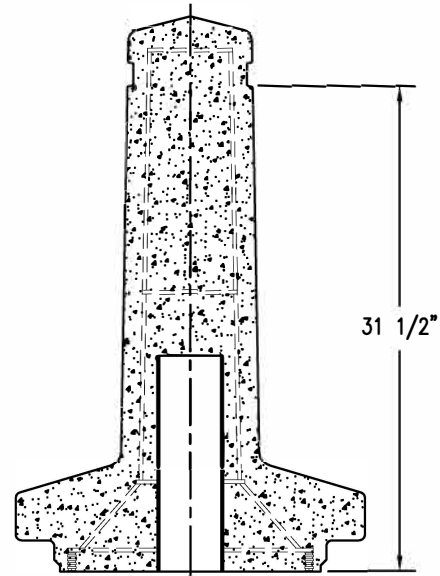


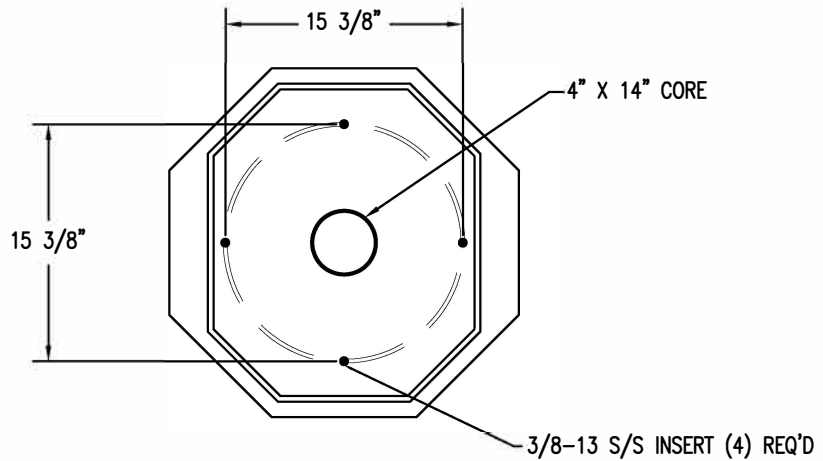
1 TOP VIEW



2 ELEVATION VIEW



4 CROSS SECTION



3 BOTTOM VIEW



WAUSAU TILE

REVISIONS

NO.	NAME	DATE	NOTES
1			
2			
3			
4			
5			
6			
7			
8			

CONFIDENTIAL INFORMATION  
 THESE DRAWING, SPECIFICATIONS AND  
 OTHER INFORMATION AND DOCUMENTS  
 ACCOMPANYING THEM ARE THE  
 CONFIDENTIAL AND PROPRIETARY PROPERTY  
 OF WAUSAU TILE, INC. THE DRAWINGS  
 THEMSELVES SHALL BELONG TO THE  
 OWNER FOR USE ONLY ON THE PROJECT.  
 ANY ADDITIONAL USE SHALL REQUIRE THE  
 PRIOR WRITTEN APPROVAL OF WAUSAU TILE,  
 INC. THE PROPRIETARY INFORMATION  
 CONTAINED WITHIN THE DRAWINGS AND THE  
 DOCUMENTS IS AND SHALL REMAIN THE  
 SOLE PROPERTY OF WAUSAU TILE, INC.

JOB NAME

ADDRESS  
 CITY, STATE ZIP

UNLESS OTHERWISE SPECIFIED  
 DIMENSIONS ARE IN INCHES  
 FRACTIONS 1/8"

DRAWN BY: SK  
 DATE: 6/16/15  
 CD NUMBER: ?  
 WEIGHT: 315 LBS

PRODUCT NO.  
 TF 6097