



P.O. BOX 1520 WAUSAU, WI 54402-1520
 E-MAIL: SALES@MAUSAUTILE.COM
 WEB SITE: WWW.MAUSAUTILE.COM

REVISIONS

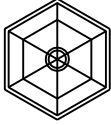
NAME	DATE	NOTES
1		
2		
3		
4		
5		
6		
7		
8		

THESE DRAWING SPECIFICATIONS AND OTHER INFORMATION ACCOMPANYING THEM ARE THE CONFIDENTIAL AND PROPRIETARY PROPERTY OF WAUSAU TILE, INC. THE DRAWINGS HEREON SHALL BELONG TO THE COMPANY AND SHALL REMAIN THE PROPERTY OF WAUSAU TILE, INC. THE PROPRIETARY INFORMATION CONTAINED HEREIN IS UNLAWFULLY DISCLOSED WITHIN THE DOMAINS AND TERRITORIES OF WAUSAU TILE, INC. THE SALE PROPERTY OF WAUSAU TILE, INC.

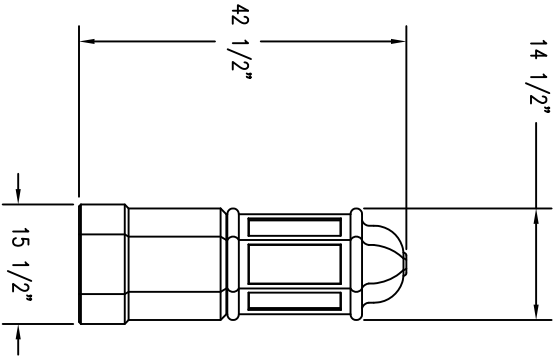
JOB NAME
 ADDRESS
 CITY, STATE ZIP

UNLESS OTHERWISE SPECIFIED
 DIMENSIONS ARE IN INCHES
 FINISHES 3/16"

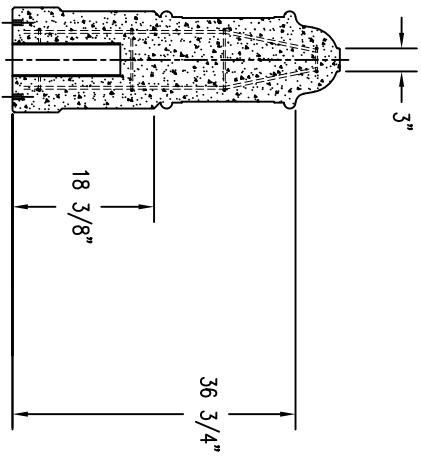
DRAWN BY:	SK
DATE:	6/18/15
CD NUMBER:	7
WEIGHT:	303 LBS
PRODUCT NO.:	TF 6092



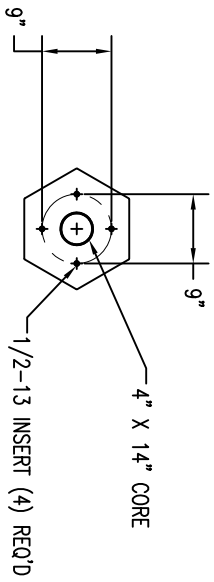
1 TOP VIEW



2 ELEVATION VIEW



4 CROSS SECTION



3 BOTTOM VIEW