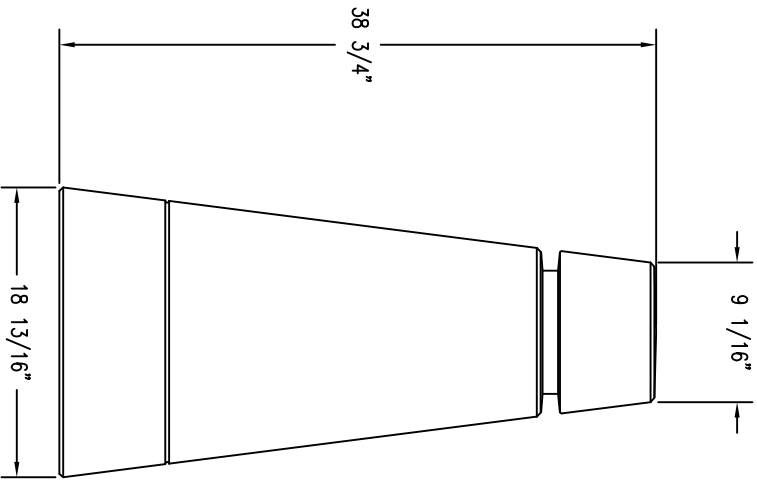
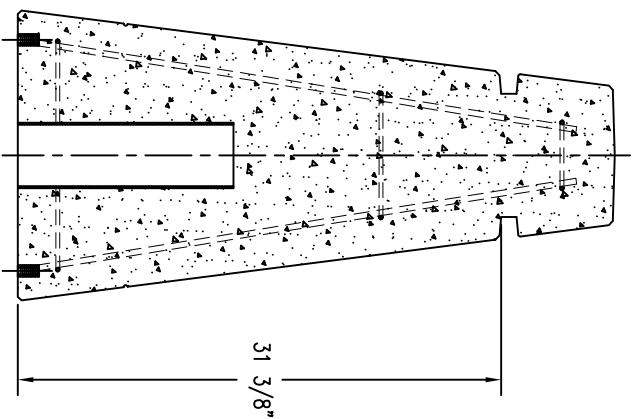


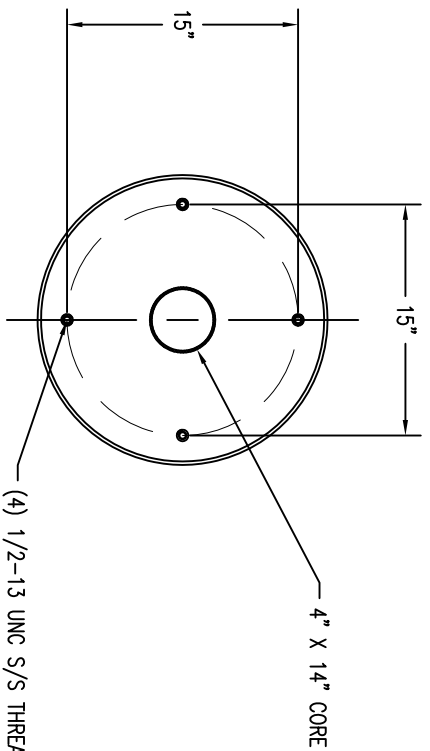
1 TOP VIEW



2 ELEVATION VIEW



4 CROSS SECTION



3 BOTTOM VIEW

**MAUSAU TILE**  
 P.O. BOX 1320 WAUSAU, WI 54402-1320  
 E-MAIL: SALES@MAUSAU.COM  
 WEB SITE: WWW.MAUSAUTILE.COM

**REVISIONS**

NAME	DATE	NOTES
1		
2		
3		
4		
5		
6		
7		
8		

THESE DRAWING SPECIFICATIONS AND OTHER INFORMATION ARE THE CONFIDENTIAL AND PROPRIETARY PROPERTY OF MAUSAU TILE, INC. THE DRAWINGS HEREON SHALL BELONG TO THE OWNER AND SHALL REMAIN THE PROPERTY OF MAUSAU TILE, INC. THE PROPRIETARY INFORMATION CONTAINED HEREIN IS THE SOLE PROPERTY OF MAUSAU TILE, INC.

JOB NAME  
 ADDRESS  
 CITY, STATE ZIP

UNLESS OTHERWISE SPECIFIED  
 DIMENSIONS ARE IN INCHES  
 FINISHES 4/16"

DRAWN BY: SK  
 DATE: 6/17/15  
 CO NUMBER: 7  
 WEIGHT: 560 LBS

PRODUCT NO.  
**TF 6072**