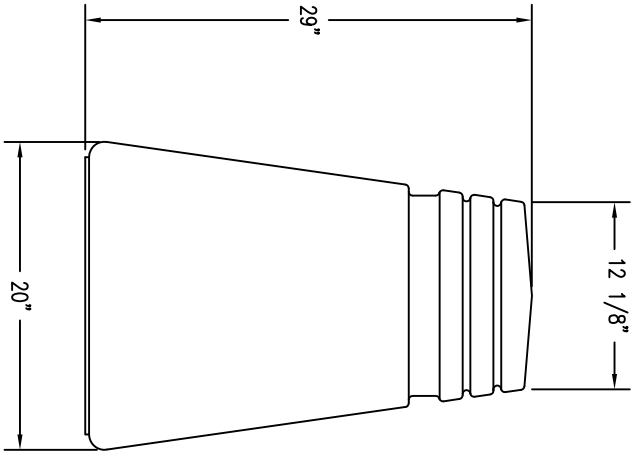
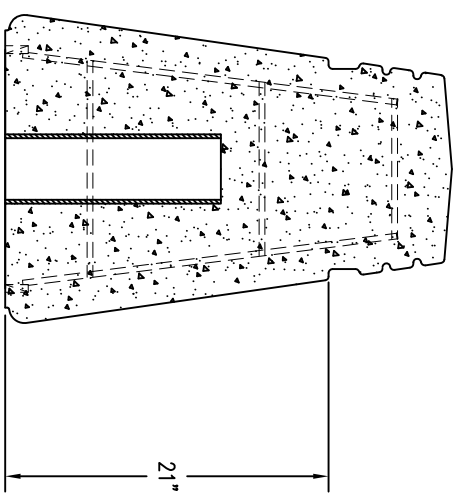


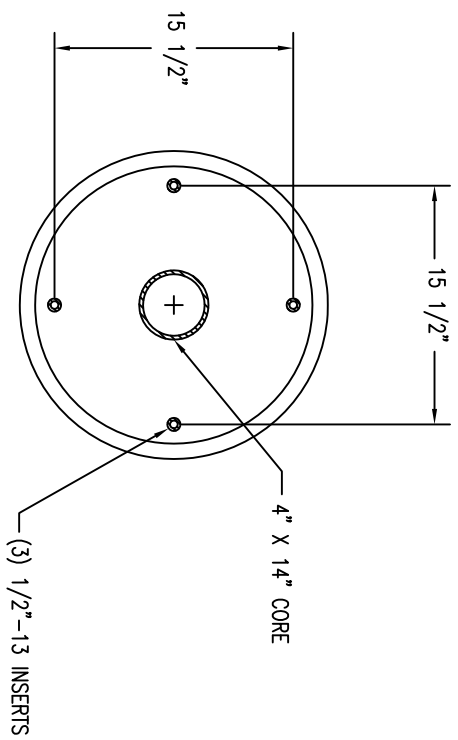
1 TOP VIEW



2 ELEVATION VIEW



4 SECTION VIEW



3 BOTTOM VIEW

MASAU TILE
 P.O. BOX 1320 MASAU, WI 54402-1320
 TEL: 715-735-8220
 E-MAIL: SALES@MASAU.COM
 WEB SITE: WWW.MASAU TILE.COM

REVISIONS		
NO.	DATE	NOTES
1		
2		
3		
4		
5		
6		
7		
8		

THESE DRAWINGS, SPECIFICATIONS AND OTHER INFORMATION ARE THE PROPERTY OF MASAU TILE, INC. THE DRAWINGS HEREON SHALL BELOING TO THE OWNER. ANY ADDITIONAL USE SHALL REQUIRE THE PRIOR WRITTEN APPROVAL OF MASAU TILE, INC. THE PROPRIETARY INFORMATION CONTAINED HEREIN IS THE BUSINESS AND THE SOLE PROPERTY OF MASAU TILE, INC.

JOB NAME _____
 ADDRESS _____
 CITY, STATE ZIP _____

UNLESS OTHERWISE SPECIFIED
 DIMENSIONS ARE IN INCHES
 FINISHES AS SHOWN

DRAWN BY: SK
 DATE: 6/23/15
 CD NUMBER: 7
 WEIGHT: 470 LBS

PRODUCT NO.
TF 6070