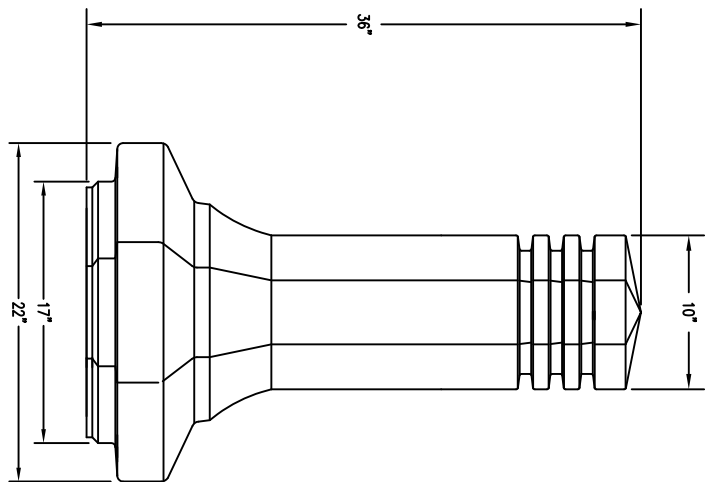
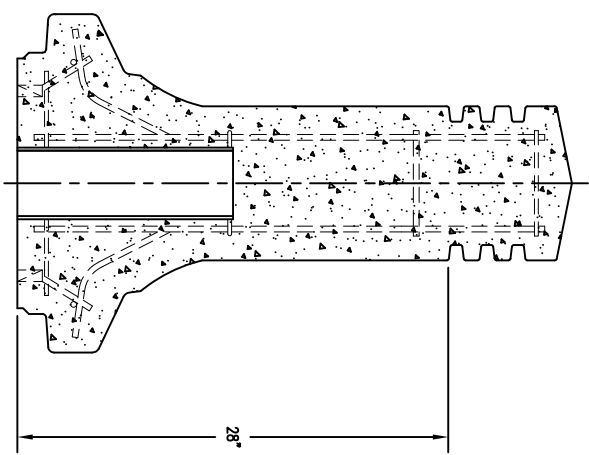


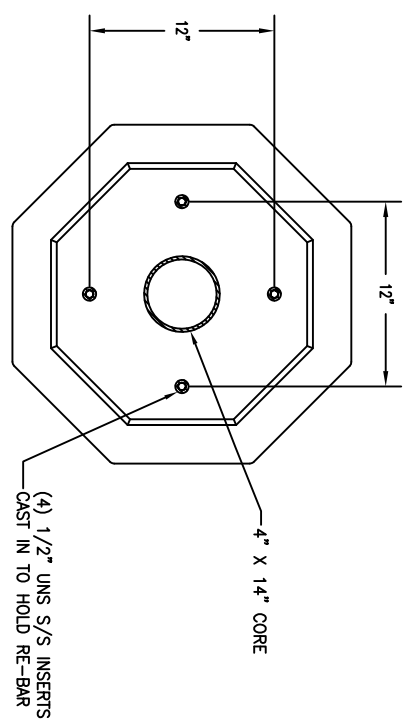
1 TOP VIEW



2 ELEVATION VIEW



4 CROSS SECTION



3 BOTTOM VIEW

WAUSAU TILE
 P.O. BOX 1320 WAUSAU, WI 54402-1320
 E-MAIL: SALES@WAUSAUTILE.COM
 WEB SITE: WWW.WAUSAUTILE.COM

REVISIONS		
NO.	DATE	NOTES
1		
2		
3		
4		
5		
6		
7		
8		

THESE DRAWINGS, SPECIFICATIONS AND OTHER INFORMATION ARE THE PROPERTY OF WAUSAU TILE, INC. THE DRAWINGS HEREIN SHALL BELOING TO THE COMPANY AND SHALL REMAIN THE PROPERTY OF WAUSAU TILE, INC. ANY ADDITIONAL USE SHALL REQUIRE THE PRIOR WRITTEN APPROVAL OF WAUSAU TILE, INC. THE PROPRIETARY INFORMATION CONTAINED HEREIN IS THE PROPRIETY AND SOLE PROPERTY OF WAUSAU TILE, INC.

JOB NAME
 ADDRESS
 CITY, STATE ZIP

UNLESS OTHERWISE SPECIFIED
 DIMENSIONS ARE IN INCHES
 FINISHES AS SHOWN
 DRAWN BY: SK
 DATE: 6/16/15
 CO NUMBER: 7
 WEIGHT: 700 LBS
 PRODUCT NO.
TF 6063