

REVISIONS		
NAME	DATE	NOTES
1	---	---
2	---	---
3	---	---
4	---	---
5	---	---
6	---	---
7	---	---
8	---	---

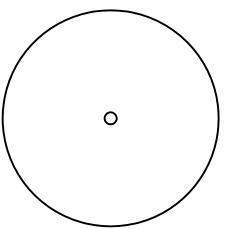
CONFIDENTIAL INFORMATION
 THESE DRAWINGS, SPECIFICATIONS AND
 OTHER INFORMATION AND DOCUMENTS
 ACCOMPANYING THEM ARE THE
 CONFIDENTIAL AND PROPRIETARY PROPERTY
 OF WAUSAU TILE, INC. THE DRAWINGS
 HEREOF SHALL BELONG TO THE
 OWNER FOR USE ONLY ON THE PROJECT.
 ANY ADDITIONAL USE SHALL REQUIRE THE
 PRIOR WRITTEN APPROVAL OF WAUSAU
 TILE, INC. THE PROPRIETARY INFORMATION
 CONTAINED WITHIN THE DRAWINGS AND
 THE DOCUMENTS IS AND SHALL REMAIN
 THE SOLE PROPERTY OF WAUSAU TILE, INC.

JOB NAME _____
 ADDRESS _____
 CITY, STATE ZIP _____

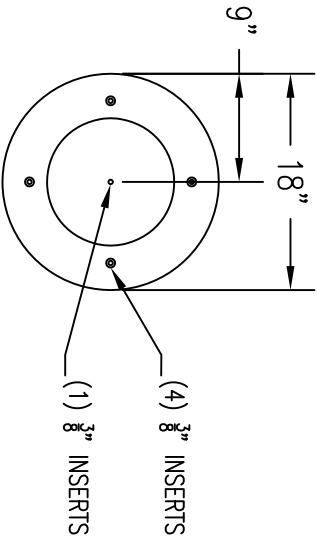
UNLESS OTHERWISE SPECIFIED
 DIMENSIONS ARE IN INCHES
 FRACTIONS ±1/8"

DRAWN BY: SK
DATE: 6/19/15
CO NUMBER: ?
WEIGHT: 850 LBS

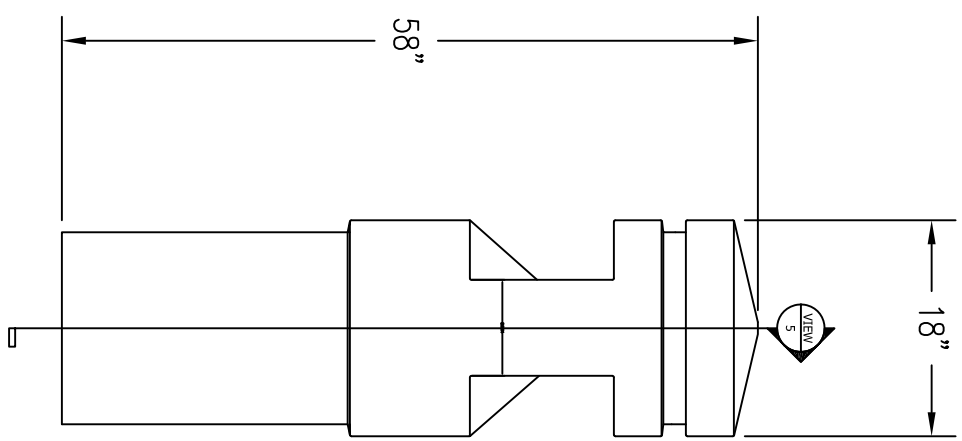
PRODUCT NO.
TF 6050



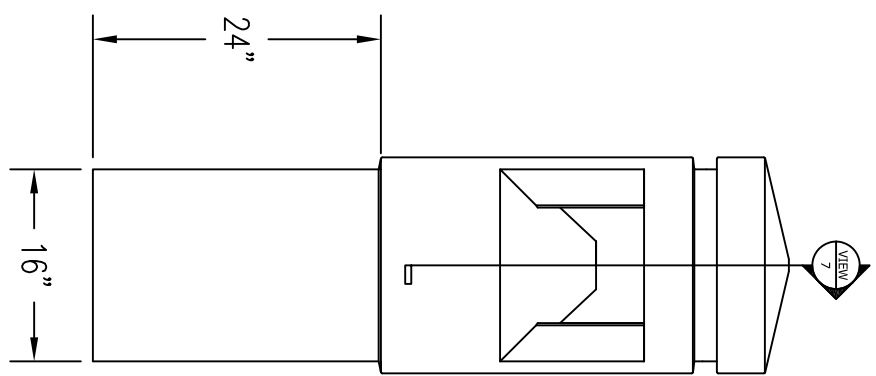
2 TOP VIEW



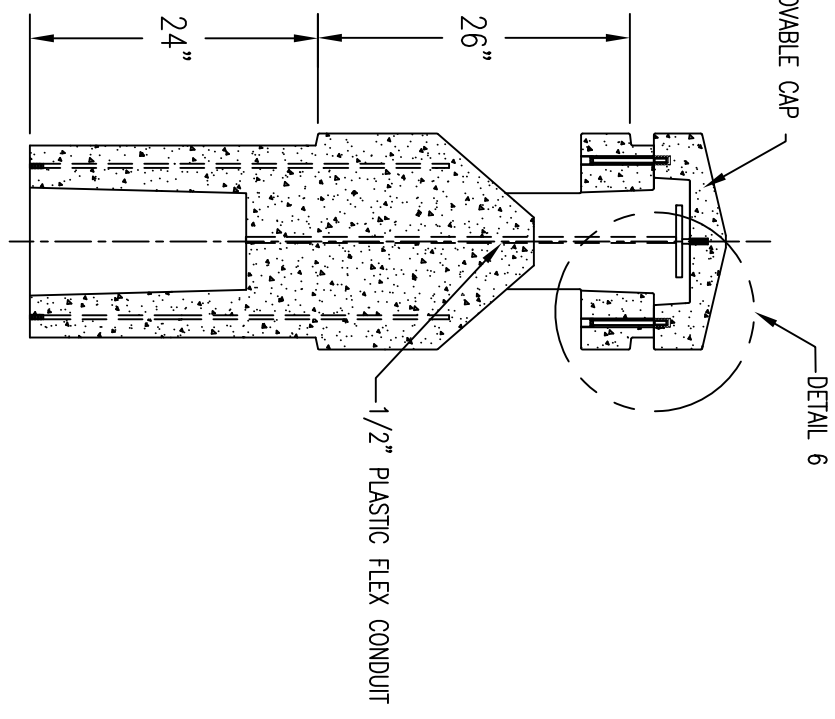
8 BOTTOM VIEW OF CAP



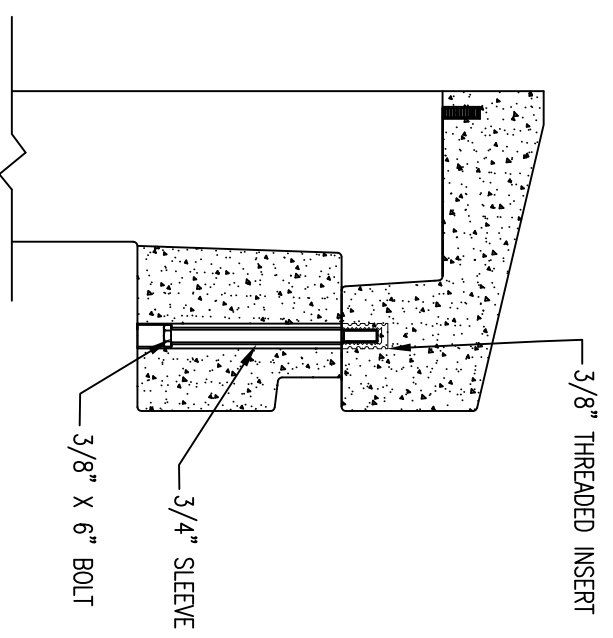
1 SIDE ELEVATION VIEW



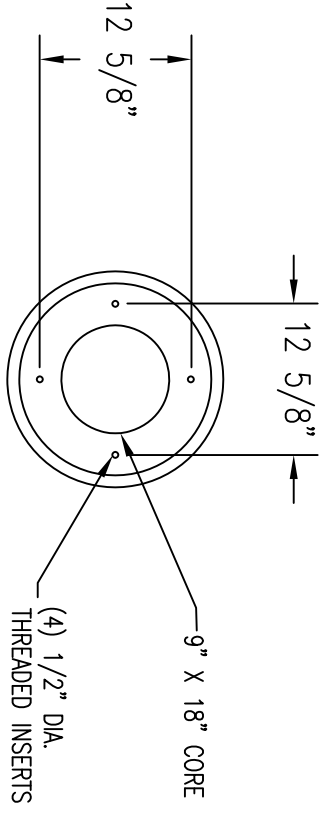
3 FRONT ELEVATION VIEW



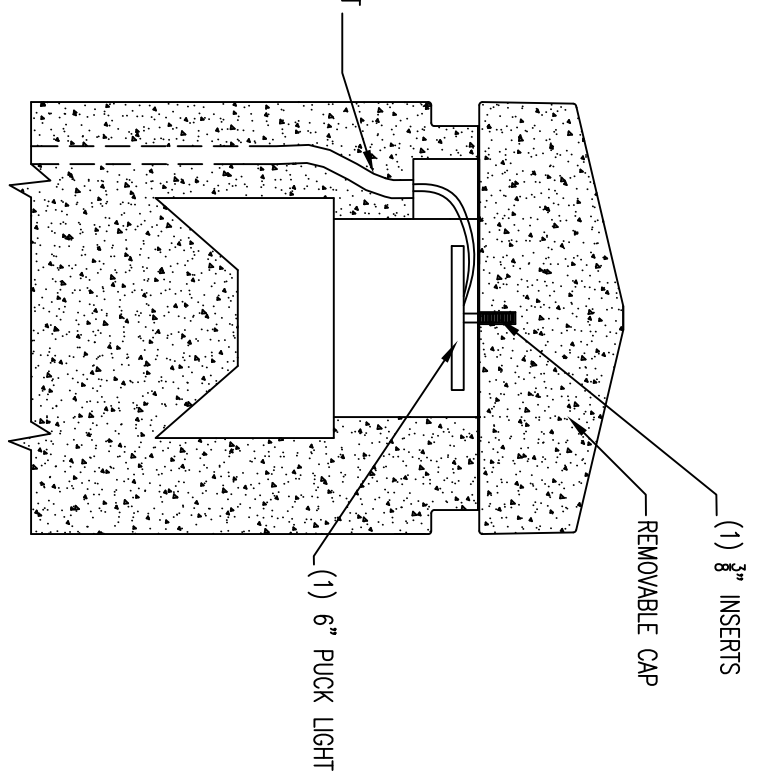
5 CROSS SECTION



6 DETAIL



4 BOTTOM VIEW



7 SECTION