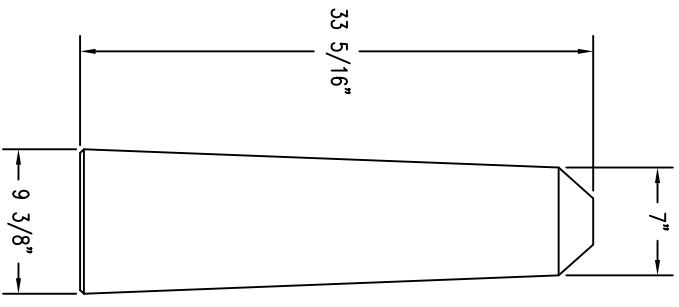
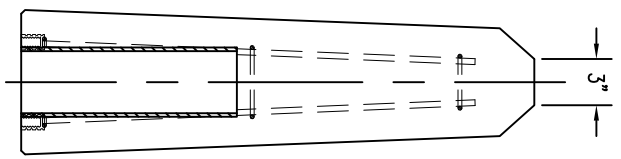


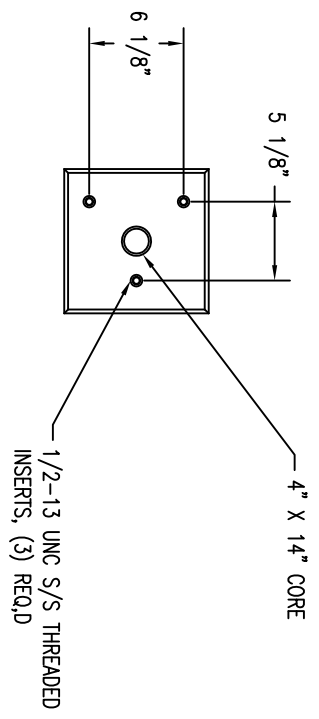
1 TOP VIEW



2 ELEVATION VIEW



4 CROSS SECTION



3 BOTTOM VIEW

MAUSAU TILE
 P.O. BOX 1320 MAUSAU, WI 54402-1320
 E-MAIL: SALES@MAUSAUTILE.COM
 WEB SITE: WWW.MAUSAUTILE.COM

REVISIONS

NAME	DATE	NOTES
1		
2		
3		
4		
5		
6		
7		
8		

THESE DRAWING SPECIFICATIONS AND OTHER INFORMATION ARE THE PROPERTY OF MAUSAU TILE, INC. THE DRAWINGS HEREIN SHALL BELONG TO THE OWNER AND SHALL REMAIN THE PROPERTY OF MAUSAU TILE, INC. THE PROPRIETARY INFORMATION CONTAINED HEREIN IS UNCLASSIFIED AND NOT CONTROLLED BY MAUSAU TILE, INC.

JOB NAME
 ADDRESS
 CITY, STATE ZIP

UNLESS OTHERWISE SPECIFIED
 DIMENSIONS ARE IN INCHES
 FINISHES 4/16"

DRAWN BY: SK
 DATE: 6/22/15
 CD NUMBER: 7
 WEIGHT: 200 LBS

PRODUCT NO.
TF 6035