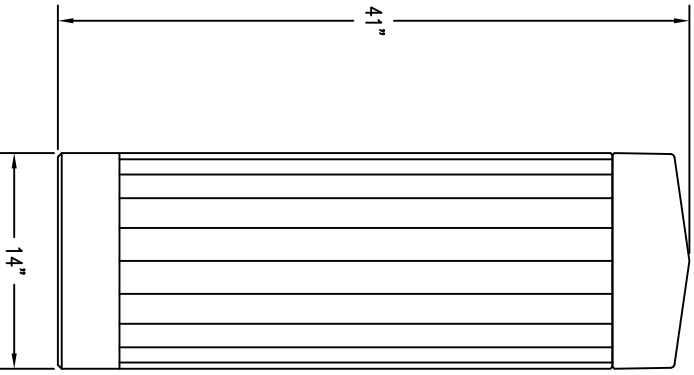
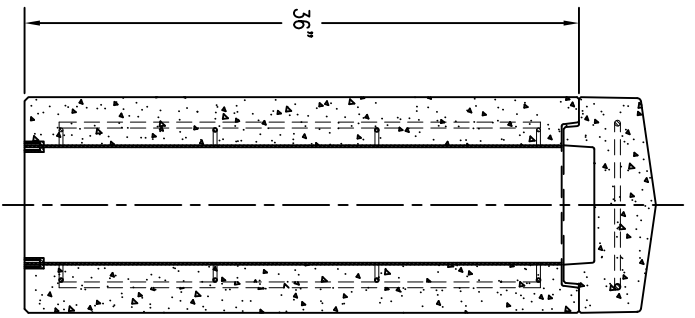


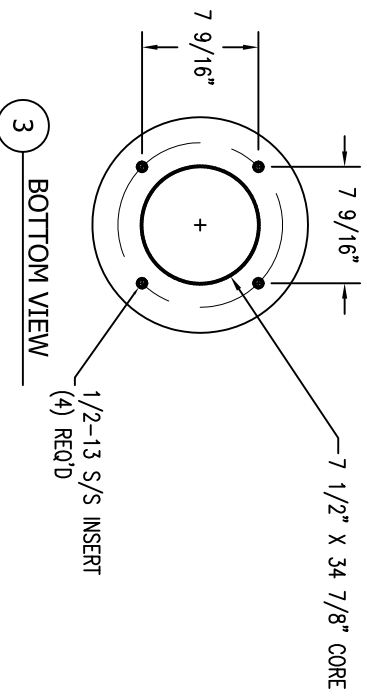
1 TOP VIEW



2 ELEVATION VIEW



4 CROSS SECTION



3 BOTTOM VIEW

WAUSAU TILE
 P.O. BOX 1320 WAUSAU, WI 54402-1320
 E-MAIL: SALES@WAUSAUTILE.COM
 WEB SITE: WWW.WAUSAUTILE.COM

REVISIONS		
NAME	DATE	NOTES
1		
2		
3		
4		
5		
6		
7		
8		

THESE DRAWINGS, SPECIFICATIONS AND OTHER INFORMATION ARE THE PROPERTY OF WAUSAU TILE, INC. THE DRAWINGS AND SPECIFICATIONS SHALL BELONG TO THE OWNER AND SHALL BE KEPT IN CONFIDENTIALITY. ANY ADDITIONAL USE SHALL REQUIRE THE PRIOR WRITTEN APPROVAL OF WAUSAU TILE, INC. THE PROPRIETARY INFORMATION CONTAINED HEREIN IS THE PROPERTY AND THE SOLE PROPERTY OF WAUSAU TILE, INC.

JOB NAME
 ADDRESS
 CITY, STATE ZIP

UNLESS OTHERWISE SPECIFIED
 DIMENSIONS ARE IN INCHES
 FINISHES AS SHOWN

DRAWN BY: SK
 DATE: 6/11/15
 CD NUMBER: 7
 WEIGHT: 360 LBS

PRODUCT NO.
TF 6012