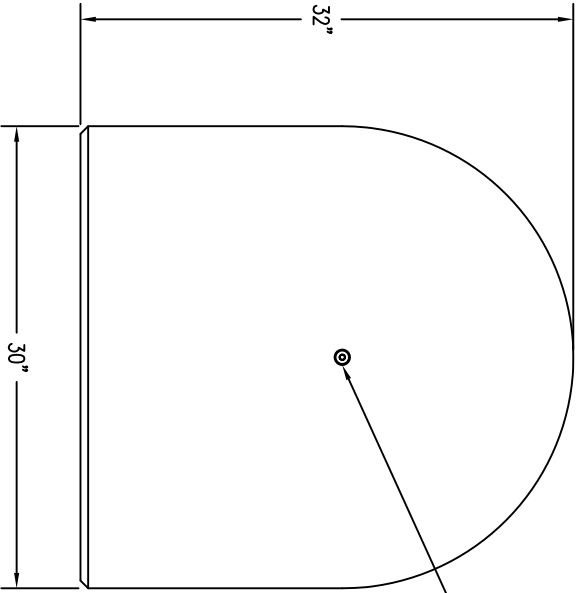
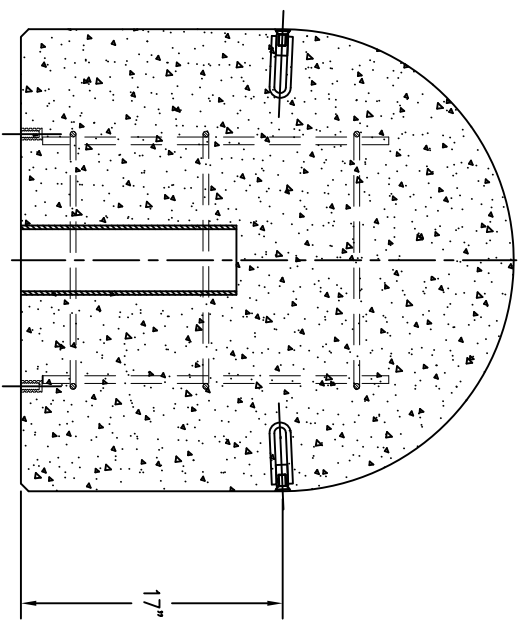


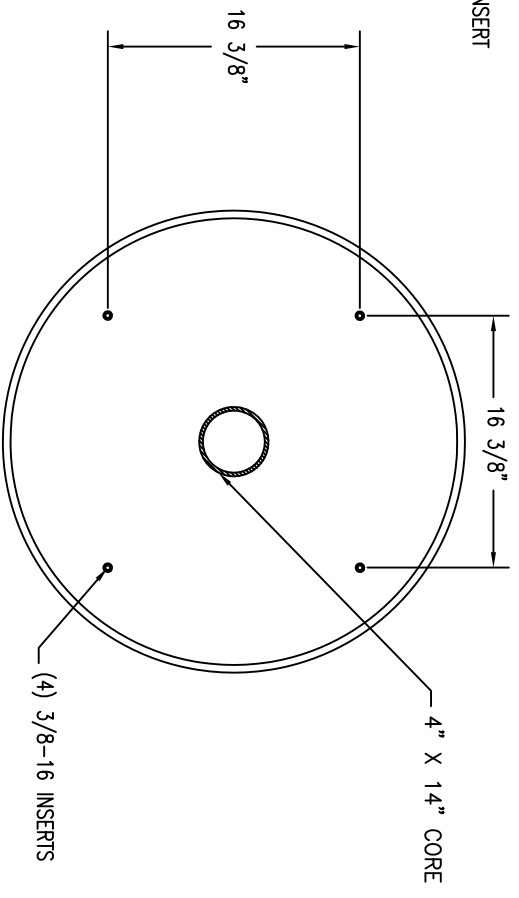
1 TOP VIEW



2 ELEVATION VIEW



4 CROSS SECTION



3 BOTTOM VIEW

MAUSAU TILE
 P.O. BOX 1320 MAUSAU, WI 54402-1320
 E-MAIL: SALES@MAUSAU.COM
 WEB SITE: WWW.MAUSAU TILE.COM

REVISIONS		
NO.	DATE	NOTES
1		
2		
3		
4		
5		
6		
7		
8		

THESE DRAWINGS, SPECIFICATIONS AND OTHER INFORMATION ARE THE PROPERTY OF MAUSAU TILE, INC. THE DRAWINGS HEREON SHALL REMAIN THE PROPERTY OF MAUSAU TILE, INC. WITHOUT ANY ADDITIONAL USE SHALL REQUIRE THE PRIOR WRITTEN APPROVAL OF MAUSAU TILE, INC. THE PROPRIETARY INFORMATION CONTAINED HEREIN IS THE BUSINESS AND THE SOLE PROPERTY OF MAUSAU TILE, INC.

JOB NAME
 ADDRESS
 CITY, STATE ZIP

UNLESS OTHERWISE SPECIFIED
 DIMENSIONS ARE IN INCHES
 FINISHES 4/16"

DRAWN BY: SK
 DATE: 6/23/15
 CD NUMBER: 7
 WEIGHT: 1610 LBS

PRODUCT NO.
TF 6011