



P.O. BOX 1520 WAUSAU, WI 54985-1520
 WAUSAU TILE
 E-MAIL: SALES@WAUSAUTILE.COM
 WEB SITE: WWW.WAUSAUTILE.COM

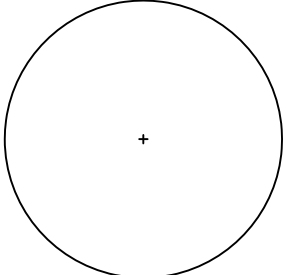
REVISIONS

NO.	DATE	NOTES
1		
2		
3		
4		
5		
6		
7		
8		

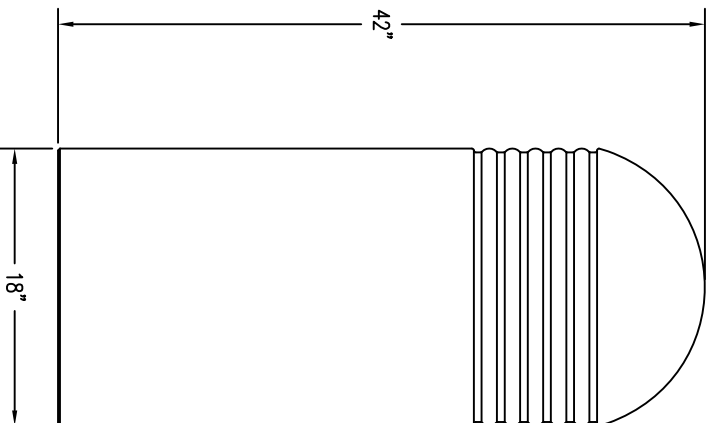
THESE DRAWINGS, SPECIFICATIONS AND OTHER INFORMATION ARE THE PROPERTY OF WAUSAU TILE, INC. THE DRAWINGS AND SPECIFICATIONS SHALL BE THE PROPERTY OF WAUSAU TILE, INC. ANY ADDITIONAL USE SHALL REQUIRE THE PRIOR WRITTEN APPROVAL OF WAUSAU TILE, INC. THE PROPRIETARY INFORMATION CONTAINED HEREIN IS THE PROPERTY AND THE SOLE PROPERTY OF WAUSAU TILE, INC.

JOB NAME
 ADDRESS
 CITY, STATE ZIP

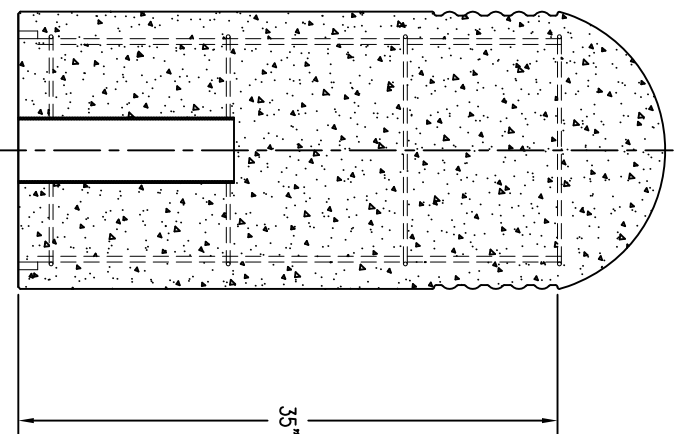
UNLESS OTHERWISE SPECIFIED
 DIMENSIONS ARE IN INCHES
 FINISHES 3/16"
 DRAWN BY: SK
 DATE: 6/22/15
 CD NUMBER: 7
 WEIGHT: 800 LBS
 PRODUCT NO.
TF 6009



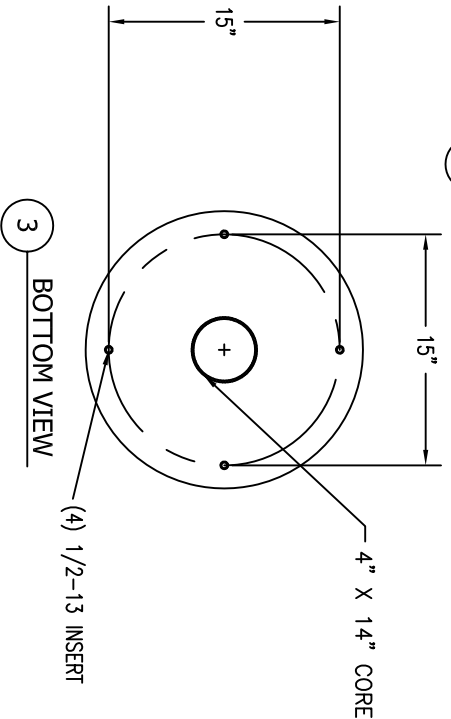
1 TOP VIEW



2 FRONT VIEW



4 CROSS SECTION



3 BOTTOM VIEW