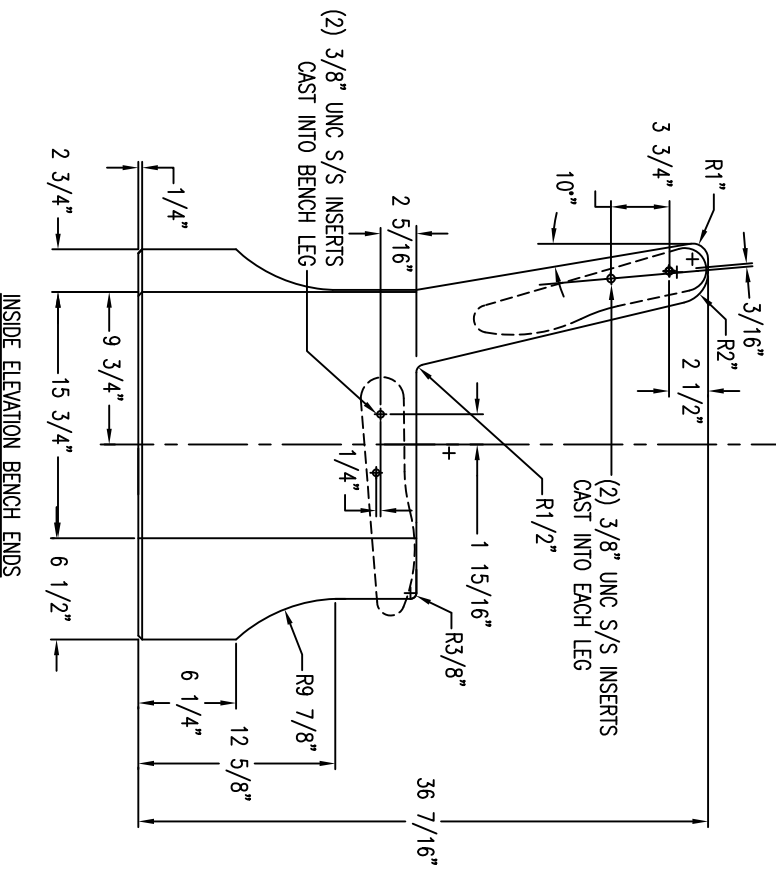
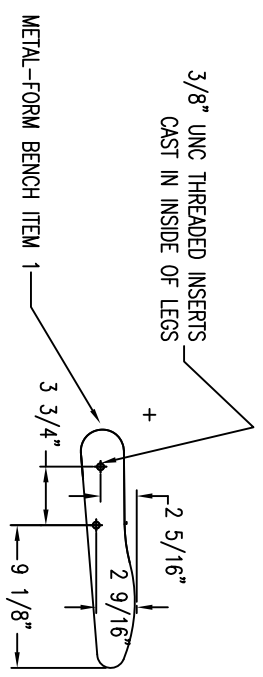


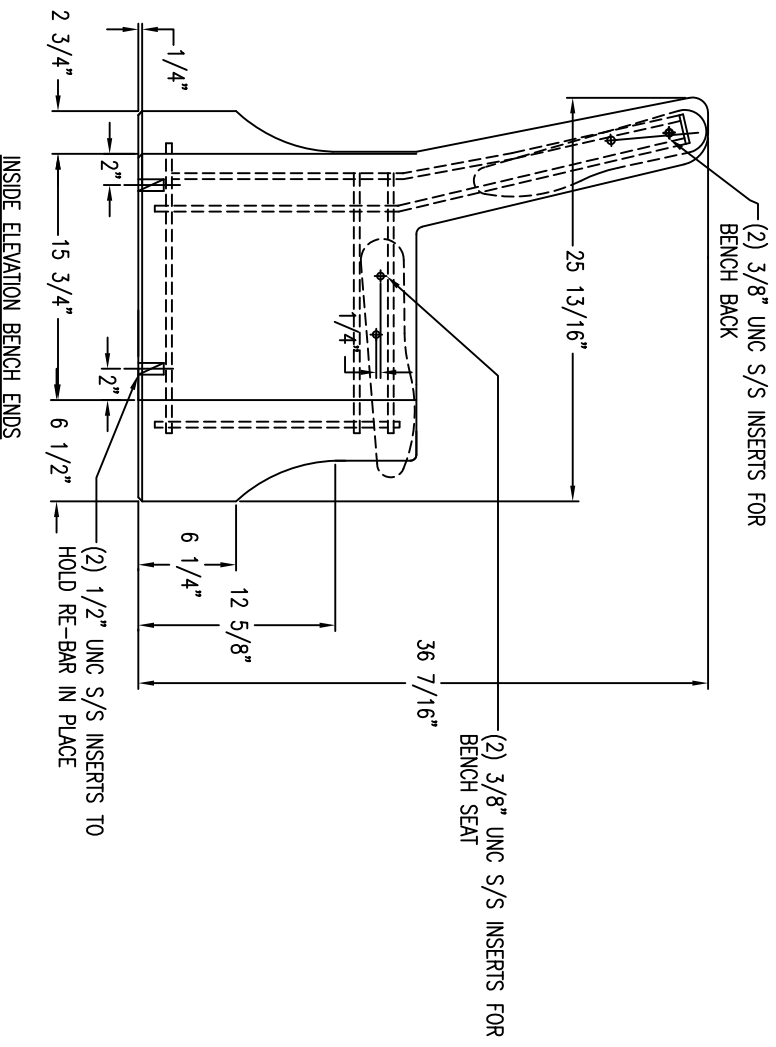
TOP VIEW



INSIDE ELEVATION BENCH ENDS



DETAIL BOLT LOCATION BENCH



INSIDE ELEVATION BENCH ENDS

CONCRETE INFORMATION

These drawings, specifications and the other information and documents accompanying them are the confidential and proprietary property of Houson Tile, Inc. This drawing shall be used only for the project for which it was prepared and shall not be used for any other project. All proprietary information contained within the drawings and the documents is and shall remain the sole property of Houson Tile, Inc.

Terra-Form Products				Terra-Forming Products				Precast Products			
Houson Tile				Houson Tile				Houson Tile			
REVISIONS				JOB				LOCATION			
NO.	DATE	BY	BR.	NO.	DATE	BY	BR.	NO.	DATE	BY	BR.
1		RAH	4	1		RAH	4	1		RAH	4
2				2				2			
3				3				3			
JOB NO. 003-10-313				JOB NO. 003-10-313				JOB NO. 003-10-313			