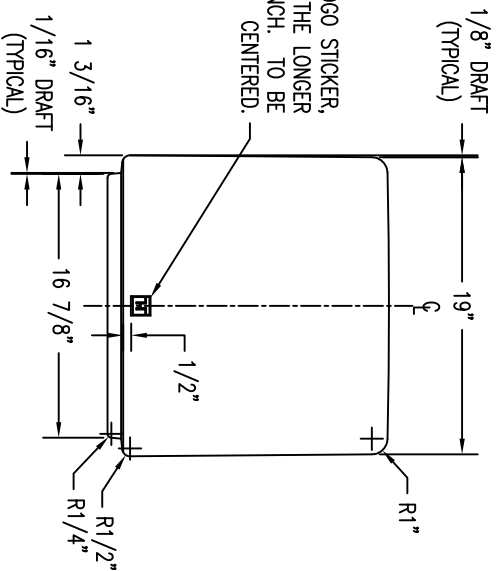
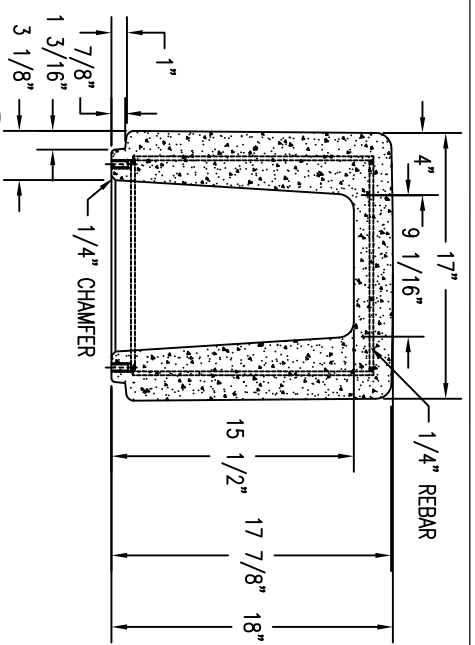


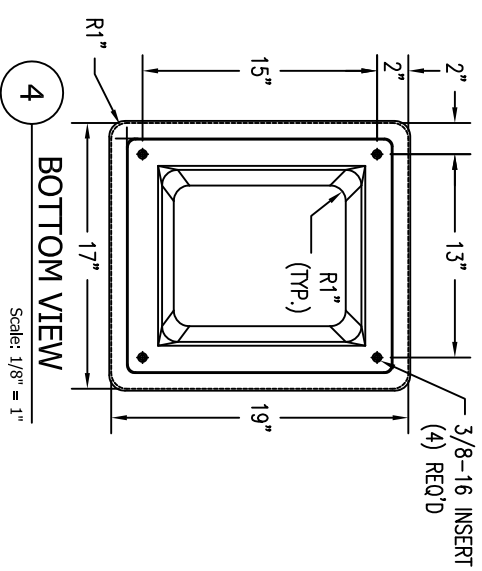
1 TOP VIEW  
Scale: 1/8" = 1"



2 ELEVATION VIEW  
Scale: 1/8" = 1"



3 SECTION VIEW  
Scale: 1/8" = 1"



4 BOTTOM VIEW  
Scale: 1/8" = 1"

(1) WAUSAU TILE LOGO STICKER, ONLY ON ONE OF THE LONGER SIDES OF THE BENCH, TO BE CENTERED.

## WAUSAU TILE SITE FURNISHINGS

P.O. BOX 1520 WAUSAU, WISCONSIN 54402-1520 800/288-8728  
P.O. BOX 987 BANNING, CALIFORNIA 92220 800/231-4836

REVISIONS				DRAWN BY		JOB		MATERIAL	
NO.	DATE	BY	NO.	DATE	BY	JOB NO.	LOCATION	WEIGHT	CONCRETE
1	5/6/09	MAS	4	5/4/10	PAW	SCALE	AS NOTED	350 LBS	
2	5/8/09	MAS	5				UNLESS OTHERWISE SPECIFIED DIMENSIONS ARE IN INCHES TOLERANCES: ±1/8"		
3	3/23/10	MAS	6			FINISH OPTIONS			TF5206