

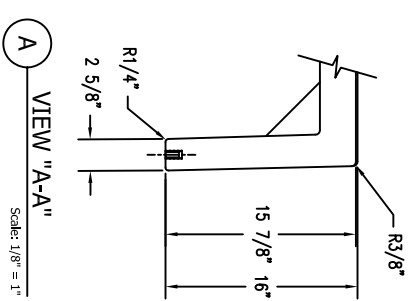
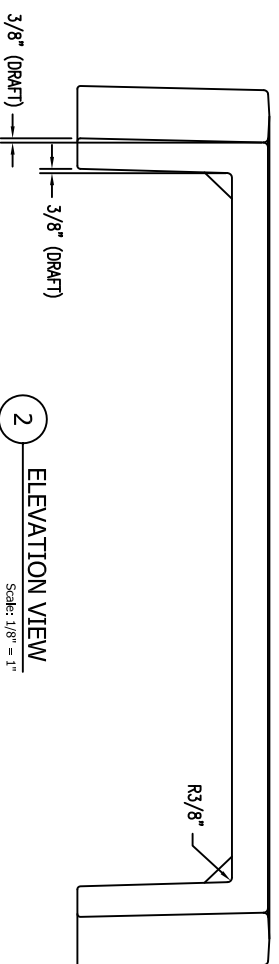
1 TOP VIEW
Scale: 1/8" = 1"

B SECTION "B-B"
Scale: 1/8" = 1"

5 FRONT VIEW OF GUSSET
Scale: 1/8" = 1"

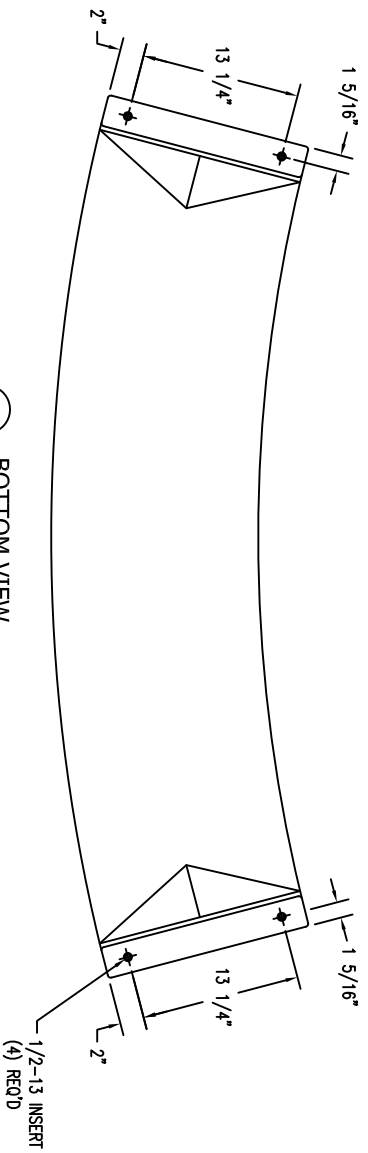
6 SIDE VIEW OF GUSSET
Scale: 1/8" = 1"

GUSSET UNDER BENCH



2 ELEVATION VIEW
Scale: 1/8" = 1"

A VIEW "A-A"
Scale: 1/8" = 1"



3 BOTTOM VIEW
Scale: 1/8" = 1"

REVISION	DESCRIPTION	DRAWN BY	DATE
4			
3			
2			
1			

WAUSAU TILE		P.O. BOX 1520 WAUSAU, WISCONSIN 54402-1520 800/298-8728	
DRAWN BY: MJS		E-MAIL: TITELWAUSAU@TELICOM	
JOB NO.		WEB SITE: WWW.WAUSAUTILE.COM	
SCALE: AS NOTED		JOB	
FINISH OPTIONS		LOCATION	
UNLESS OTHERWISE SPECIFIED DIMENSIONS ARE IN INCHES TOLERANCES ±1/8"		DATE: 11/28/07	
CHECKED: 3-12-08		ITEM NO. TFS160	
DWG. NO. 1 OF 1		MATERIAL: CONCRETE	
		WEIGHT: 420 LBS	