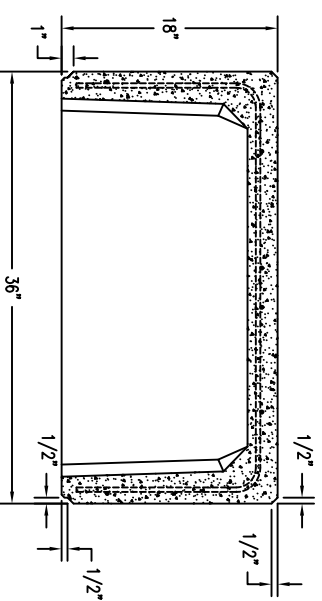
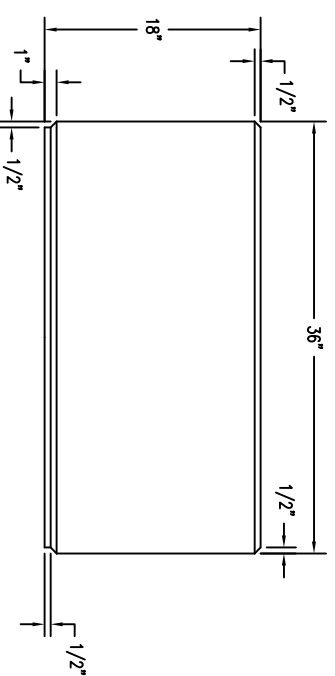


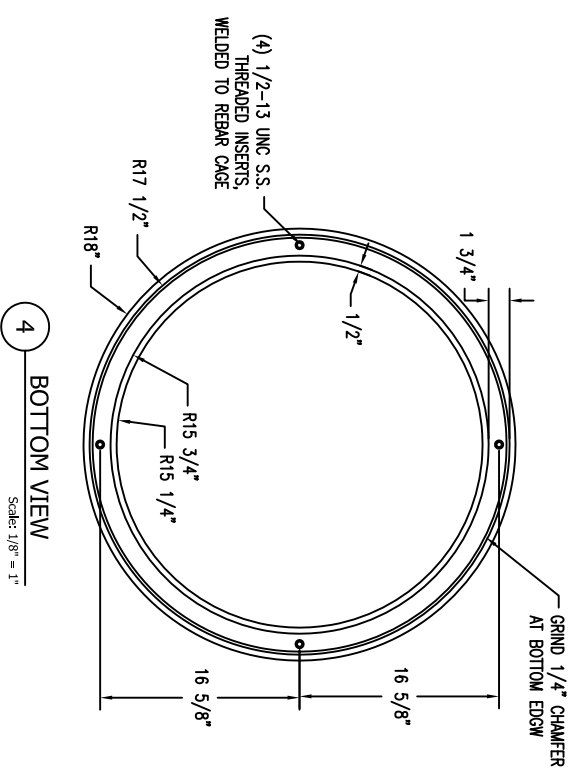
1 TOP VIEW
Scale: 1/8" = 1"



3 SECTION VIEW
Scale: 1/8" = 1"



2 ELEVATION VIEW
Scale: 1/8" = 1"



4 BOTTOM VIEW
Scale: 1/8" = 1"

WAUSAU TILE SITE FURNISHINGS

REVISIONS						DRAWN BY		JOB		MATERIAL	
NO.	DATE	BY	NO.	DATE	BY	JOB NO.	LBE	LOCATION	WEIGHT	ITEM NO.	CONCRETE
1			4			SCALE			720 LBS	TF5118	
2			5			AS NOTED					
3			6			FINISH OPTIONS					

P.O. BOX 1520 WAUSAU, WISCONSIN 54402-1520 800/298-8728
E-MAIL: TILES@WAUSAUTILE.COM
WEB SITE: WWW.WAUSAUTILE.COM

UNLESS OTHERWISE SPECIFIED
DIMENSIONS ARE IN INCHES
TOLERANCES ± 1/8"

DATE 9-22-08
DWG. NO. 1 OF 1