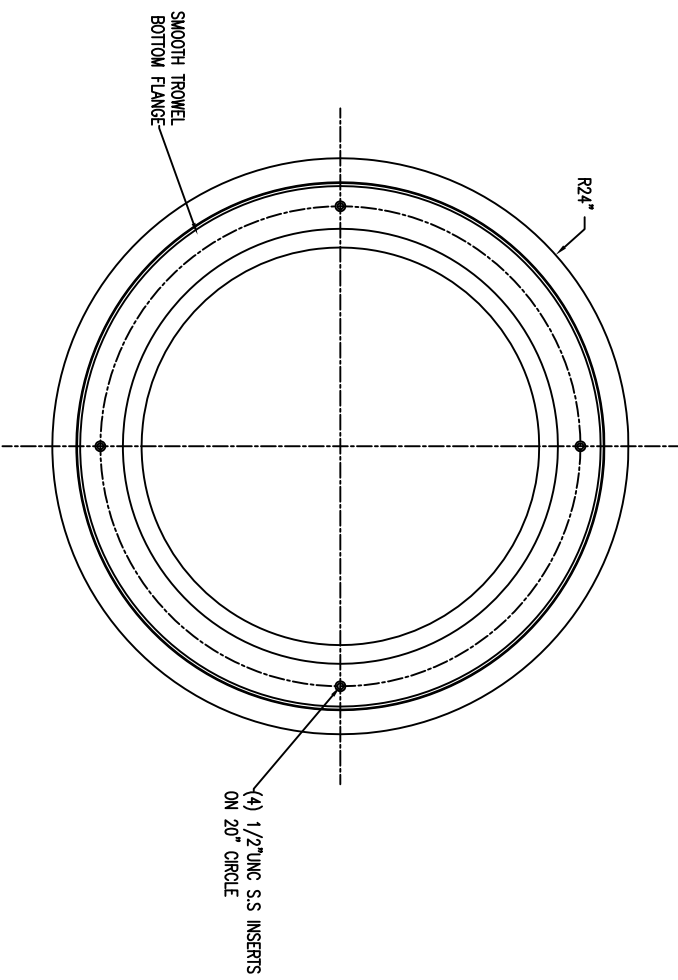
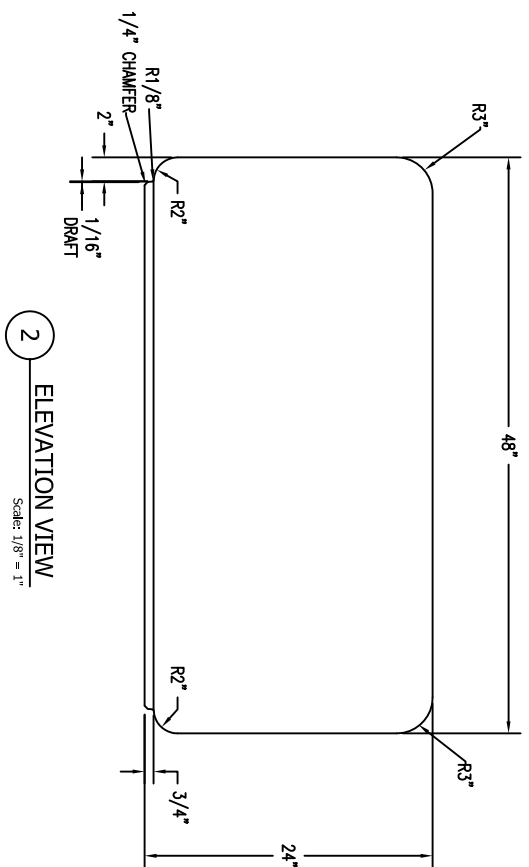


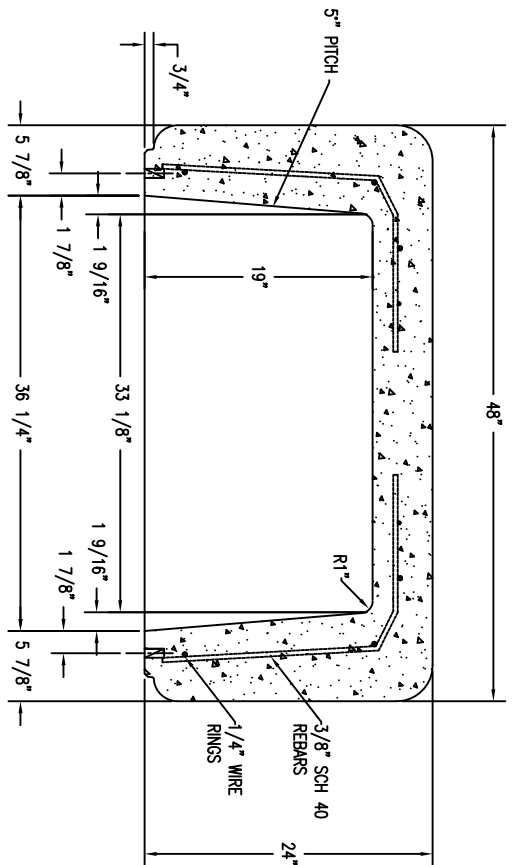
1 TOP VIEW  
Scale: 1/8" = 1"



3 BOTTOM VIEW  
Scale: 1/8" = 1"



2 ELEVATION VIEW  
Scale: 1/8" = 1"



4 CROSS SECTION  
Scale: 1/8" = 1"

USE STRAPS OR SLING TO HANDLE

NO.	DESCRIPTION	DRAWN BY	DATE
1			
2			
3			
4			

<b>WAUSAU TILE</b>		P.O. BOX 1520 WAUSAU, WISCONSIN 54982-1520 800/298-8728	
DRAWN BY P.A.W.		E-MAIL: TITEL@WAUSAUTILE.COM	
JOB NO.		WEB SITE: WWW.WAUSAUTILE.COM	
SCALE AS NOTED		UNLESS OTHERWISE SPECIFIED DIMENSIONS ARE IN INCHES TOLERANCES ±1/8"	
DATE 2/19/09		ITEM NO. TFS0087	
FIRST OPTIONS		DWG. NO. 1 OF 1	