



P.O. BOX 1520 WAUSAU, WI 54402-1520
 800-398-8728
 E-MAIL: WILE@WAUSAUTILE.COM
 WEB SITE: WWW.WAUSAUTILE.COM

REVISIONS		
NAME	DATE	NOTES
1	---	---
2	---	---
3	---	---
4	---	---
5	---	---
6	---	---
7	---	---
8	---	---

CONFIDENTIAL INFORMATION
 THESE DRAWING, SPECIFICATIONS AND
 OTHER INFORMATION AND DOCUMENTS
 ACCOMPANYING THEM ARE THE
 CONFIDENTIAL AND PROPRIETARY
 PROPERTY OF WAUSAU TILE, INC. THE
 DRAWINGS THEMSELVES SHALL BELONG TO
 THE OWNER FOR USE ONLY ON THE
 PROJECT. ANY ADDITIONAL USE SHALL
 REQUIRE THE PRIOR WRITTEN APPROVAL
 OF WAUSAU TILE, INC. THE PROPRIETARY
 INFORMATION CONTAINED WITHIN THE
 DRAWINGS AND THE DOCUMENTS IS AND
 SHALL REMAIN THE SOLE PROPERTY OF
 WAUSAU TILE, INC.

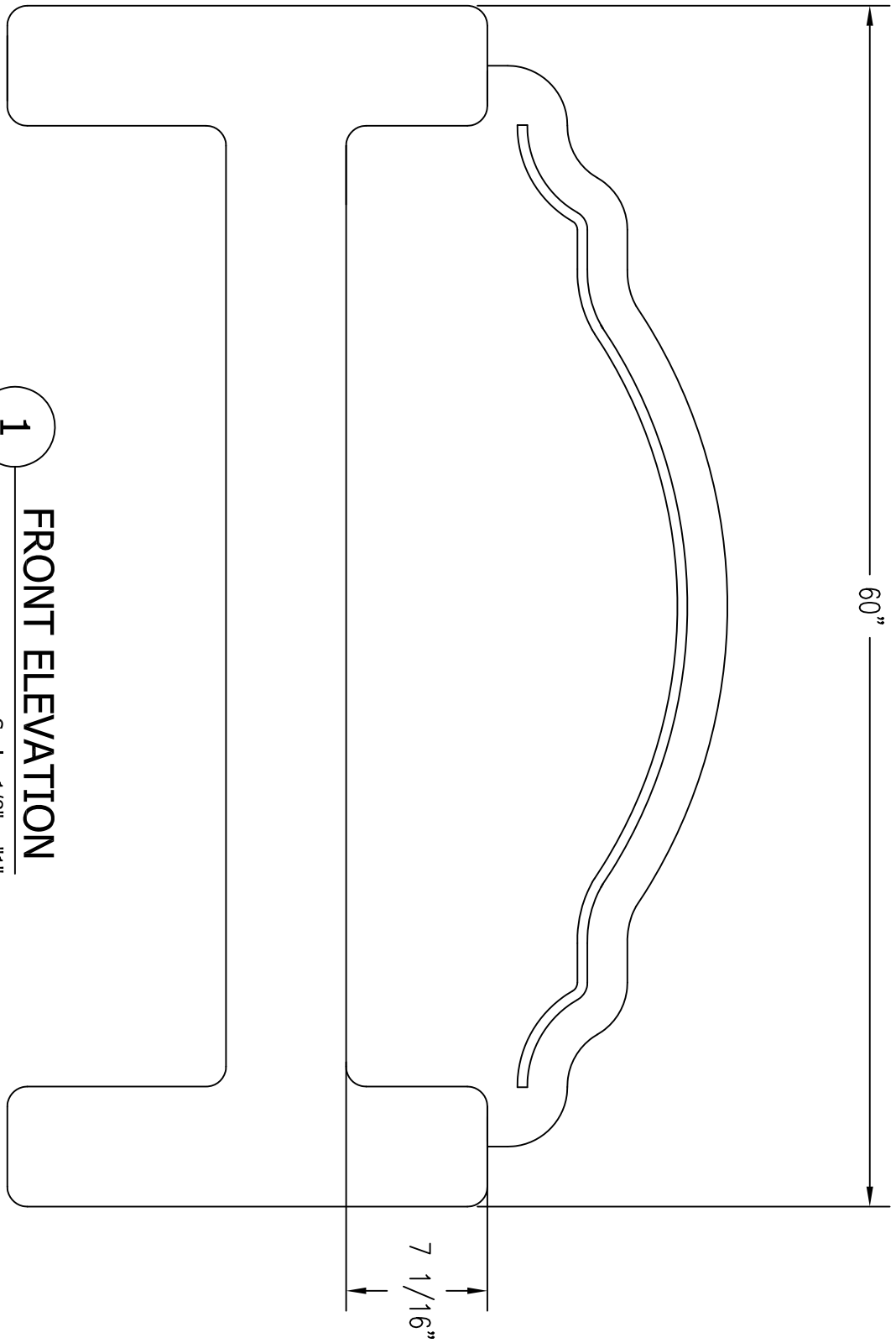
WAUSAU TILE INC.
 WAUSAU, WI

UNLESS OTHERWISE SPECIFIED
 DIMENSIONS ARE IN INCHES
 FRACTIONS ± 1/8" TOLERANCE

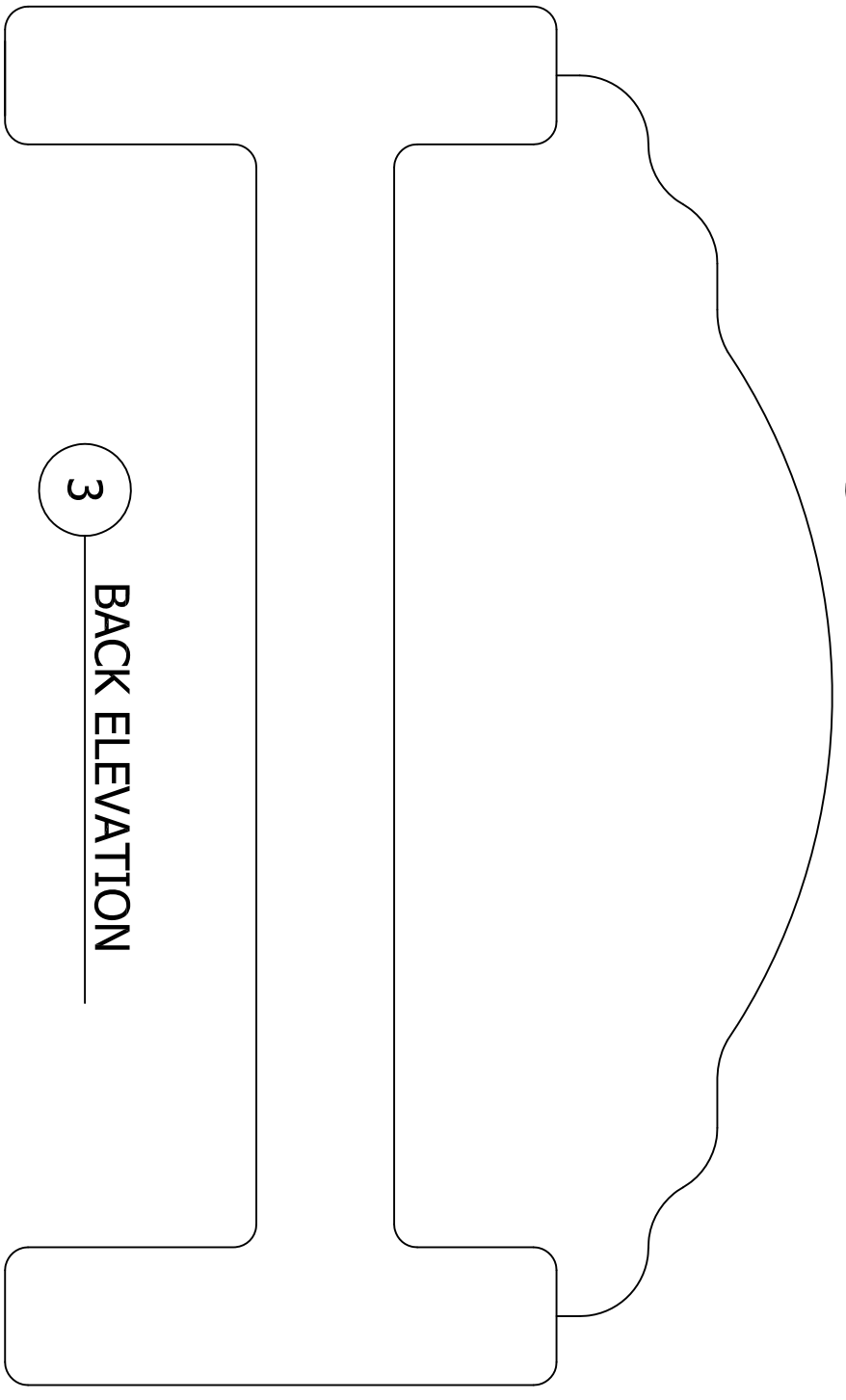
DRAWN BY: TAS
 DATE: 3/28/17
 CO NUMBER: ?
 WEIGHT: 1200LBS

SHEET NO.
 TF5064, M

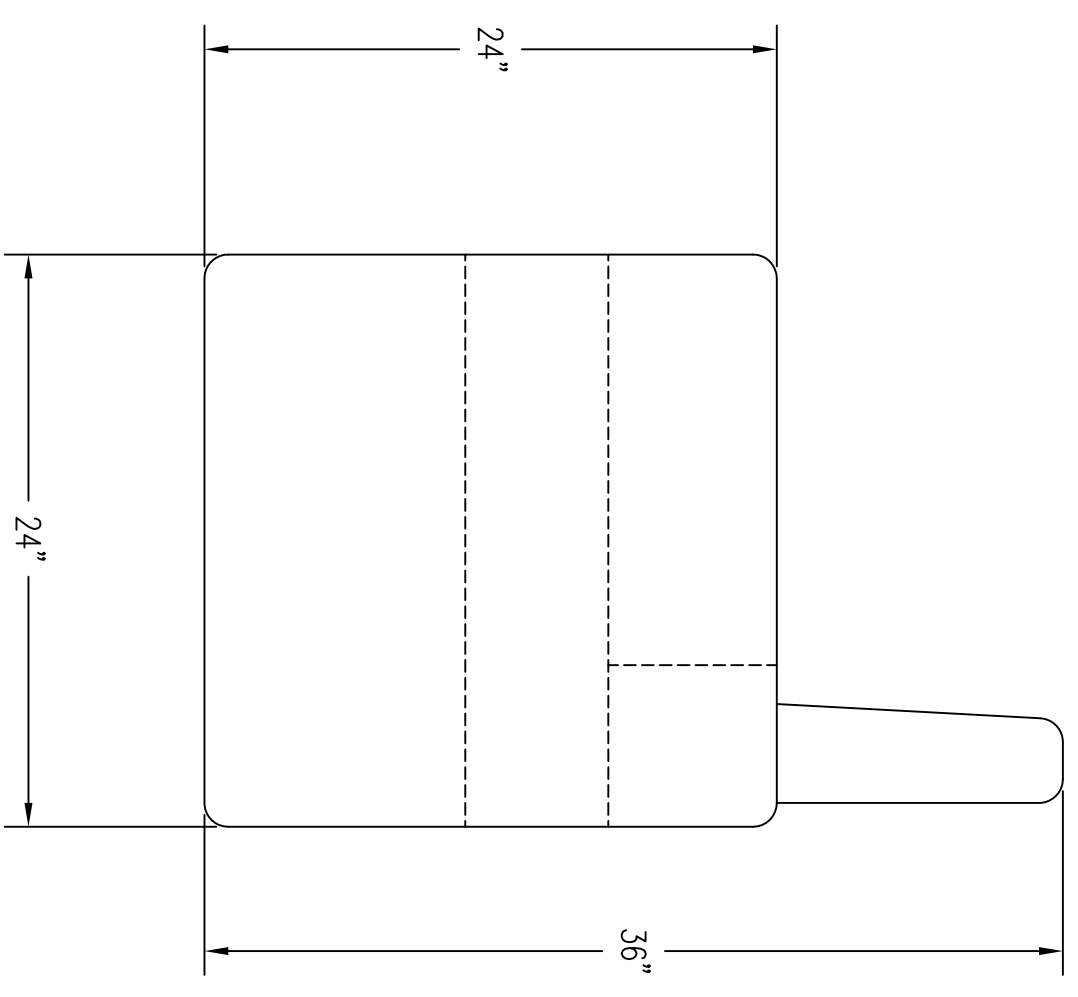
60"



1 FRONT ELEVATION
 Scale: 1/8" = "1"



3 BACK ELEVATION



2 SIDE ELEVATION
 Scale: 1/8" = "1"

SIGN BELOW IF DRAWINGS ARE
 APPROVED W/ MARKED CHANGES

APPROVED: _____
 DATE: _____

(SIGNATURE ABOVE ILLUSTRATES ACCEPTANCE OF DIMENSIONS SHOWN.)