

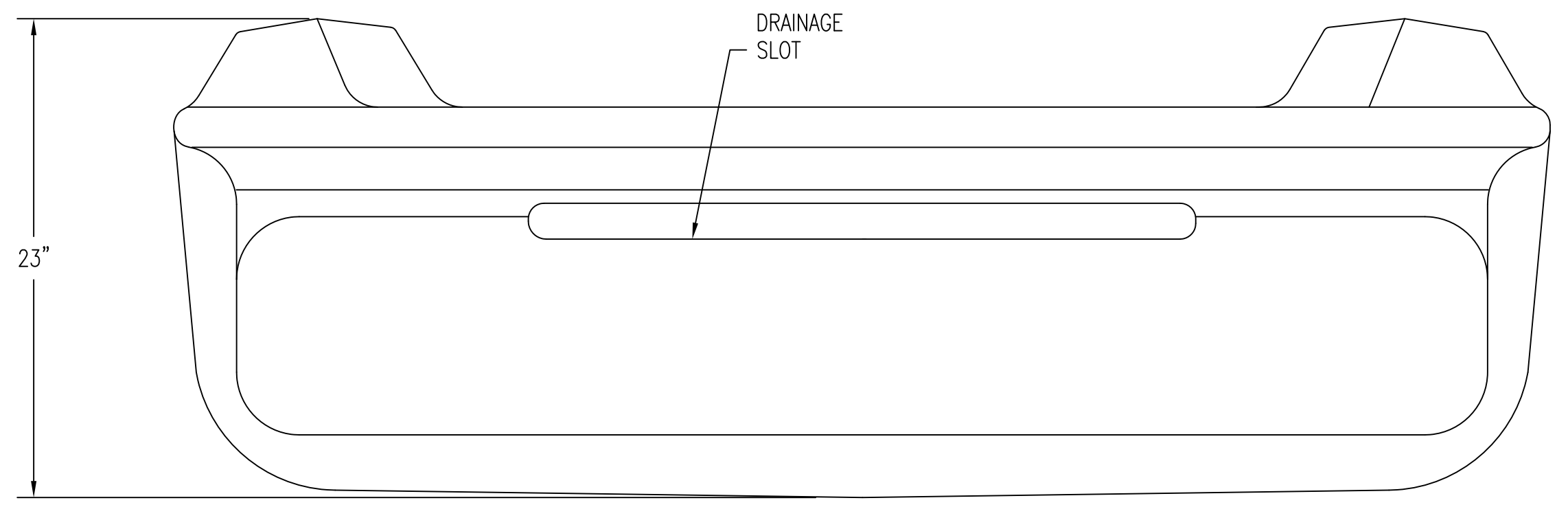


P.O. BOX 1520 WAUSAU, WI 54402-1520
 800-388-8728
 E-MAIL: WTILE@WAUSAUTILE.COM
 WEB SITE: WWW.WAUSAUTILE.COM

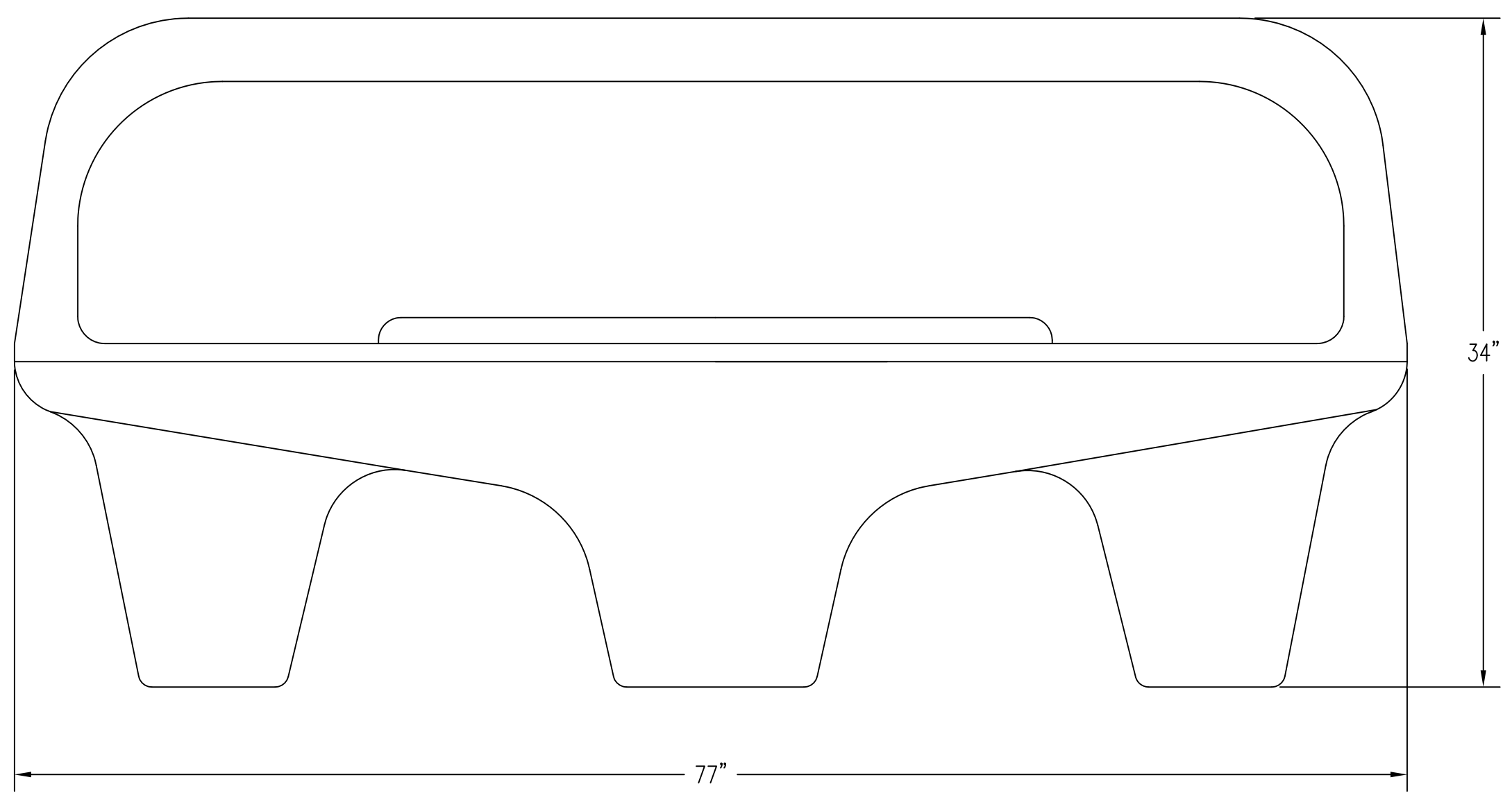
REVISIONS

	NAME	DATE	NOTES
1	---	-----	---
2	---	-----	---
3	---	-----	---
4	---	-----	---
5	---	-----	---
6	---	-----	---
7	---	-----	---
8	---	-----	---

CONFIDENTIAL INFORMATION
 THESE DRAWING, SPECIFICATIONS AND OTHER INFORMATION AND DOCUMENTS ACCOMPANYING THEM ARE THE CONFIDENTIAL AND PROPRIETARY PROPERTY OF WAUSAU TILE, INC. THE DRAWINGS THEMSELVES SHALL BELONG TO THE OWNER FOR USE ONLY ON THE PROJECT. ANY ADDITIONAL USE SHALL REQUIRE THE PRIOR WRITTEN APPROVAL OF WAUSAU TILE, INC. THE PROPRIETARY INFORMATION CONTAINED WITHIN THE DRAWINGS AND THE DOCUMENTS IS AND SHALL REMAIN THE SOLE PROPERTY OF WAUSAU TILE, INC.



1 TOP VIEW
 Scale: NOT TO SCALE



2 FRONT ELEVATION VIEW
 Scale: NOT TO SCALE

JOB NAME

ADDRESS
 CITY, STATE ZIP

UNLESS OTHERWISE SPECIFIED
 DIMENSIONS ARE IN INCHES
 FRACTIONS ±1/8"

DRAWN BY: ?

DATE: 3/2/15

CO NUMBER: ?

WEIGHT: 840 LBS

SHEET NO.

TF5060