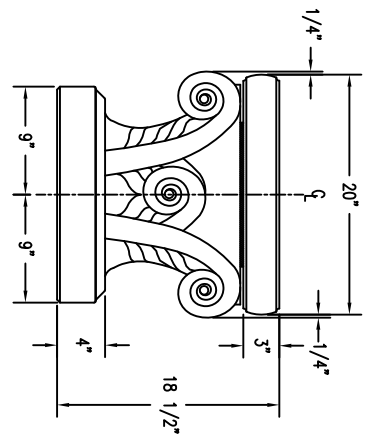
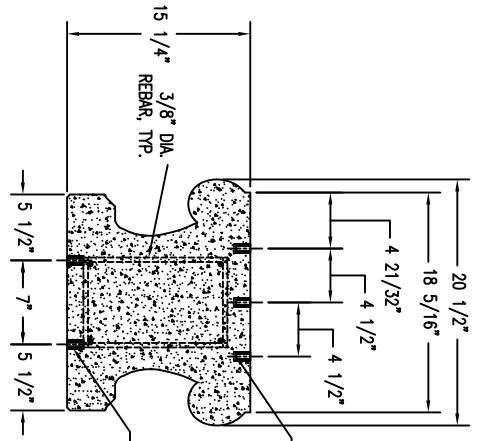


1 FRONT & BACK ELEVATION OF BENCH
Scale: 1/8" = 1"



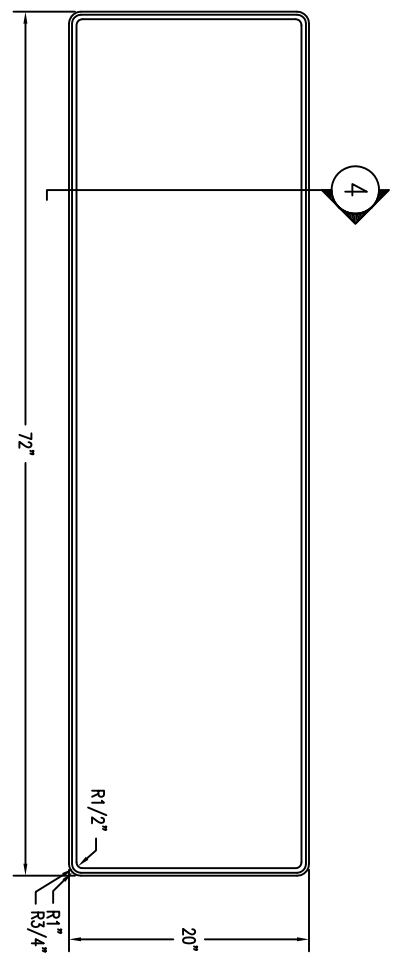
2 END ELEVATION OF BENCH
Scale: 1/8" = 1"



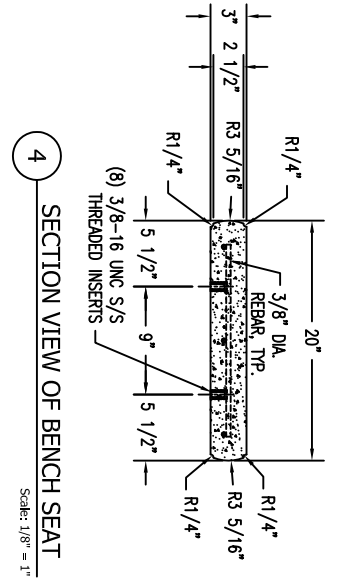
6 BENCH LEG CROSS SECTION
Scale: 1/8" = 1"

PIECE #	DESCRIPTION	QTY.	PART #
1	CONCRETE BENCH SEAT 20" X 22" X 3"	1	TF5988
2	CONCRETE BENCH LEG	2	TF5989
3	ALUMINUM PLATE, 1/4" X 8 1/2" X 12"	2	RM11069
4	3/8-16 X 1" HEX HEAD CAP SCREW, S/S	8	RM10261
5	3/8" X 7/8" O.D. FLAT WASHER, S/S	8	RM10195
6	3/8-16 X 1" SLOTTED FLAT HEAD SCREW, S/S, COUNTER SINK	6	RM10511
7	HARDWARE BOLT KIT (INCLUDES ABOVE PIECE #3, 4, 5, & 6)	1	TF9415

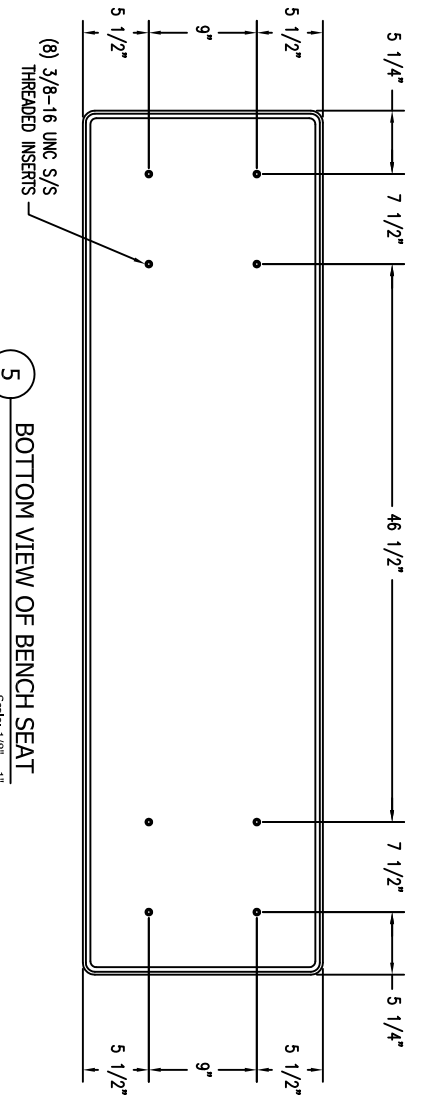
BENCH TO BE ASSEMBLED IN THE FIELD BY OTHERS



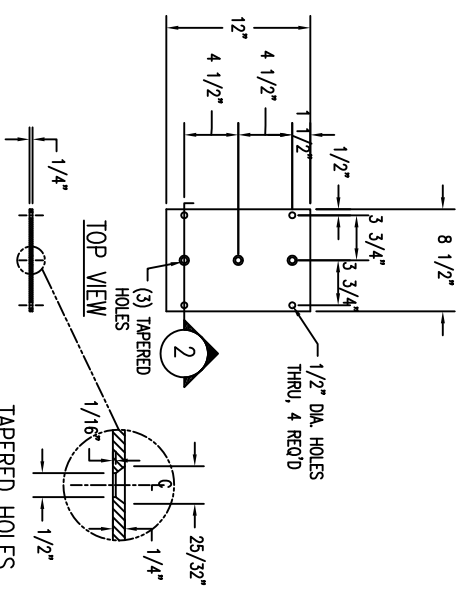
3 TOP VIEW OF BENCH SEAT
Scale: 1/8" = 1"



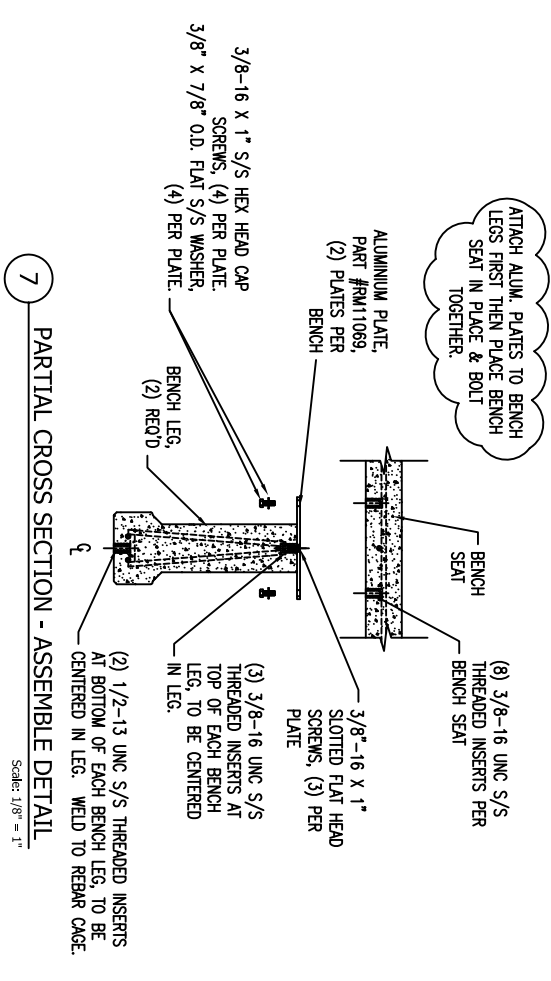
4 SECTION VIEW OF BENCH SEAT
Scale: 1/8" = 1"



5 BOTTOM VIEW OF BENCH SEAT
Scale: 1/8" = 1"



8 ALUMINUM PLATE, PART #11069
Scale: 1/8" = 1"



7 PARTIAL CROSS SECTION - ASSEMBLE DETAIL
Scale: 1/8" = 1"

WAUSAU TILE SITE FURNISHINGS					
REVISIONS			JOB		
NO.	DATE	BY	NO.	DATE	BY
1			4		
2			5		
3			6		
DRAWN BY: P.A.W.			JOB NO.:		
SCALE: AS NOTED			DATE: 12/27/10		
UNLESS OTHERWISE SPECIFIED DIMENSIONS ARE IN INCHES TOLERANCES ± 1/8"			DATE: 12/27/10		
FINISH OPTIONS			ITEM NO. TF5041		
			DWG. NO. 1 OF 1		
P.O. BOX 1520 WAUSAU, WISCONSIN 54402-1520 800/298-8728					
E-MAIL: TITELUM@WAUSAU.COM					
WEB SITE: WWW.WAUSAU.COM					
MATERIAL: CONCRETE			WEIGHT: LBS		