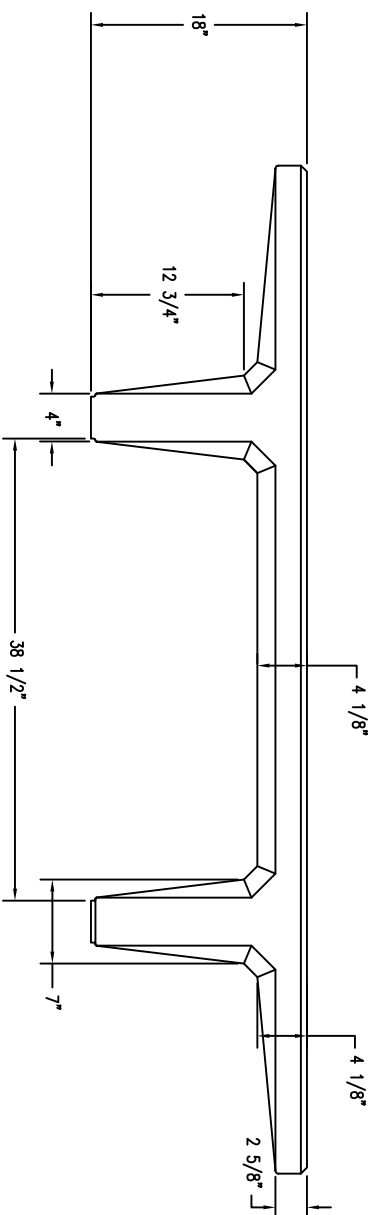
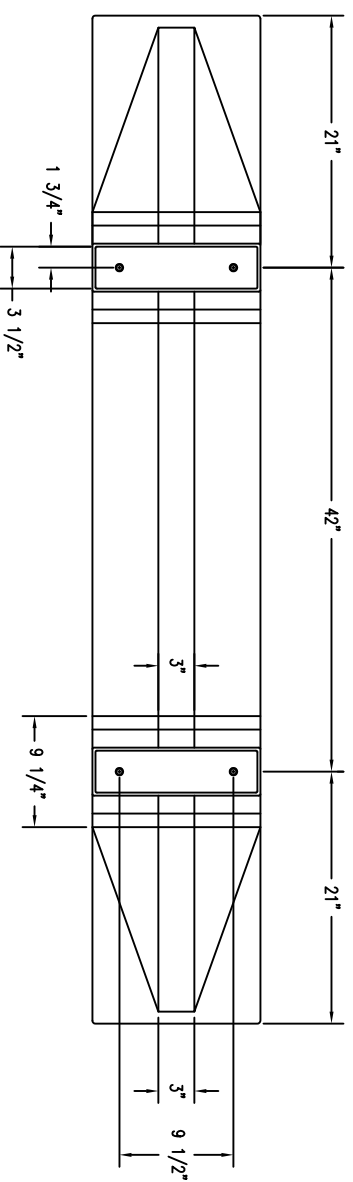


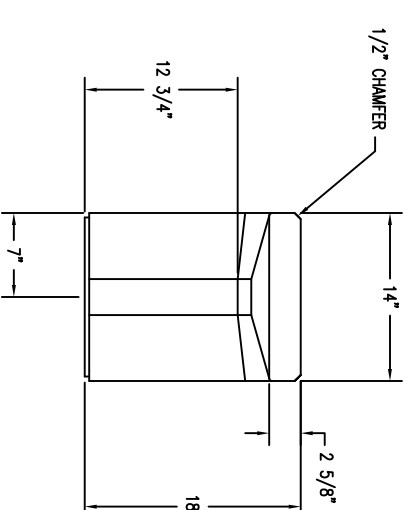
1 PLAN VIEW OF BENCH
Scale: 1 1/2" = 1'-0"



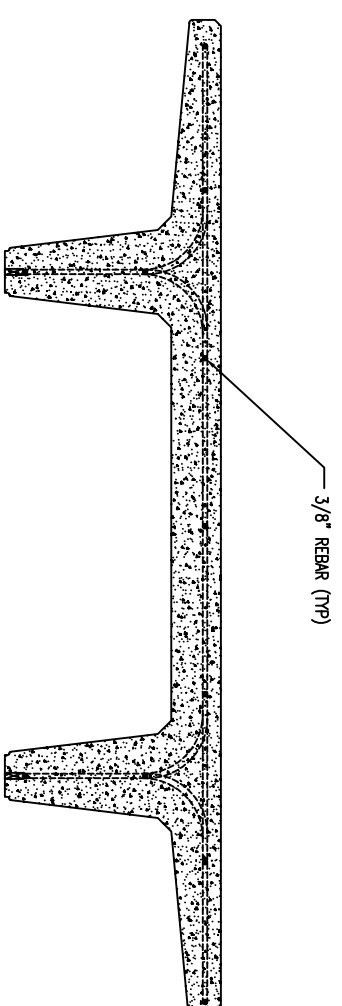
2 ELEVATION OF BENCH
Scale: 1 1/2" = 1'-0"



3 BOTTOM VIEW OF BENCH
Scale: 1 1/2" = 1'-0"



4 END VIEW OF BENCH
Scale: 1 1/2" = 1'-0"



5 SECTION VIEW OF BENCH
Scale: 1 1/2" = 1'-0"

WAUSAU TILE P.O. BOX 1520 WAUSAU, WISCONSIN 54402-1520 800/298-8728 E-MAIL: TILES@WAUSAUTILE.COM WEB SITE: WWW.WAUSAUTILE.COM		DRAWN BY: JSP JOB NO.: LOCATION:	MATERIAL: CONCRETE WEIGHT: _____ LBS DATE: 09/23/10 ITEM NO. TFS028 DWG. NO. 1 OF 1
4			
3			
2			
1			
REVISION	DESCRIPTION	DRAWN BY	DATE