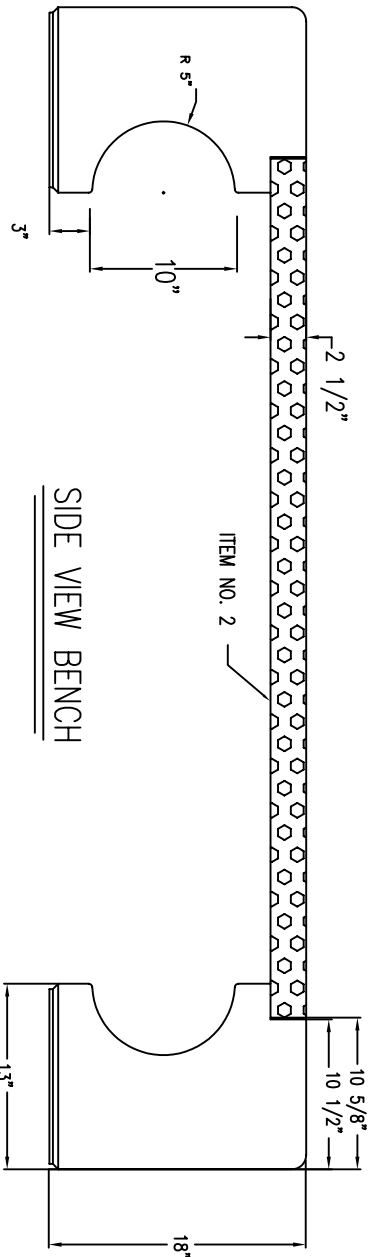
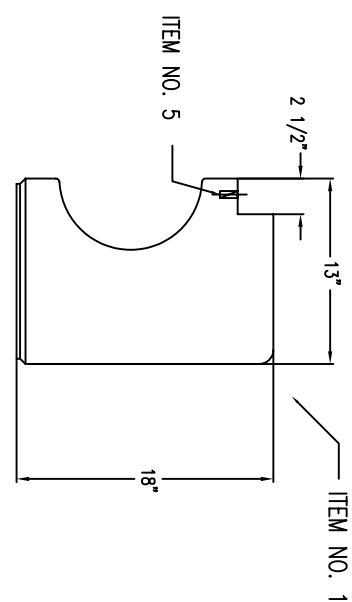


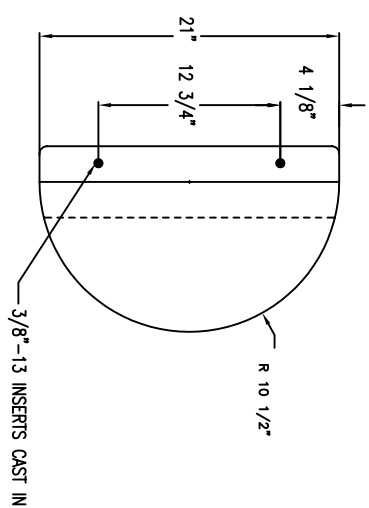
TOP VIEW BENCH



SIDE VIEW BENCH



SIDE VIEW BENCH END



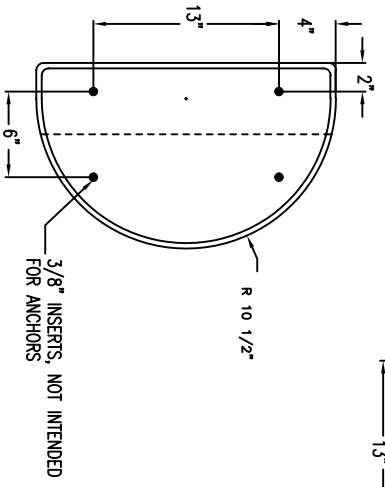
TOP VIEW BENCH END

WT. 445 LBS COMPLETE

CONFIDENTIAL INFORMATION

These drawings, specifications and the other information and documents accompanying them are the confidential and proprietary property of Mousou Tile, Inc. The drawings themselves shall belong to the owner for use only on this project. Any additional use shall require the prior written approval of Mousou Tile, Inc. The proprietary information contained within the drawings and the documents is and shall remain the sole property of Mousou Tile, Inc.

BOTTOM VIEW BENCH END



ITEM NO.	DESCRIPTION	PART NO.	QTY.
1	CAST CONCRETE LEG UNITS		2
2	METAL-FORM BENCH TOP		1
3	3/8"-13 X 1 1/2" HEX HEAD BOLTS		4
4	3/8" FLAT WASHERS		4
5	3/8"-13 UNC THREADED INSERTS CAST IN		4
6			12

REVISIONS

NO.	DATE	BY
1		
2		
3		
4		



P.O. BOX 1520 WAUSAU, WI 54401 715/359-3121

JOB	TF5024 BENCH 81-20-18
LOCATION	WAUSAU, WI.
DRAWN BY	RJH
DATE	11/10/98
SCALE	NTS
JOB NDL.	JOB NDL.
DRWG.	1 OF 3
DRWG NDL.	998-11-187

SITE-FURNISHINGS