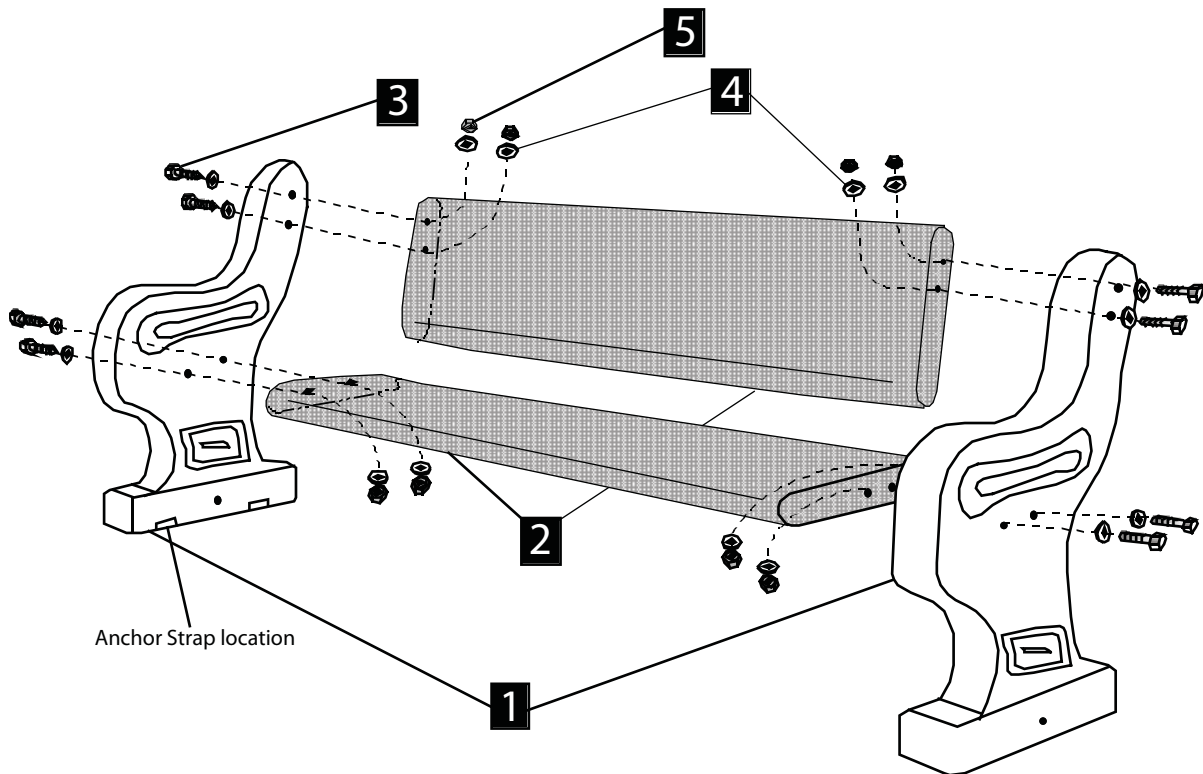


3/13

**NOTE:**

Leave all connections loose until completely assembled. Secure all fasteners in final assembly.

**Assembly diagram and parts list**


\*This assembly diagram depicts the standard Heritage Bench. Parts and quantities will vary for other Heritage Bench Systems.

PARTS LIST			
ITEM NO.	DESCRIPTION	QUANTITY	PART NO.
1	CAST CONCRETE BENCH END	2	TF5984
2	METAL-FORM BENCH TOP & BACK	2	100101
3	3/8"-16 x 4 1/2" HEX HEAD BOLT	8	400132
4	3/8" FLAT WASHERS	16	RM11063
5	3/8" NYLON LOCK NUTS	8	400032