



# WAUSAU TILE

P.O. BOX 1520, WAUSAU, WI 54402-1520  
800-388-8728  
EMAIL: WTILE@WAUSAUTILE.COM  
WEBSITE: WWW.WAUSAUTILE.COM

### REVISIONS

|   | BY | DATE | NOTE |
|---|----|------|------|
| 1 | -  |      | -    |
| 2 | -  |      | -    |
| 3 | -  |      | -    |
| 4 | -  |      | -    |
| 5 |    |      |      |

**CONFIDENTIAL INFORMATION**  
THESE DRAWINGS, SPECIFICATIONS AND OTHER INFORMATION AND DOCUMENTS ACCOMPANYING THEM ARE THE CONFIDENTIAL AND PROPRIETARY PROPERTY OF WAUSAU TILE, INC. THE DRAWINGS THEMSELVES SHALL BELONG TO THE OWNER FOR USE ONLY ON THE PROJECT. ANY ADDITIONAL USE SHALL REQUIRE THE PRIOR WRITTEN APPROVAL OF WAUSAU TILE, INC. THE PROPRIETARY INFORMATION CONTAINED WITHIN THE DRAWINGS AND THE DOCUMENTS IS AND SHALL REMAIN THE SOLE PROPERTY OF WAUSAU TILE, INC.

UNLESS OTHERWISE SPECIFIED DIMENSIONS SHOWN ARE ROUNDED TO THE CLOSEST FRACTION ± 1/16"

DRAWING SCALE: NOT TO SCALE

FABRICATION TOLERANCE: ± 1/8"

## GEOMETRIC PLANTER 28" H

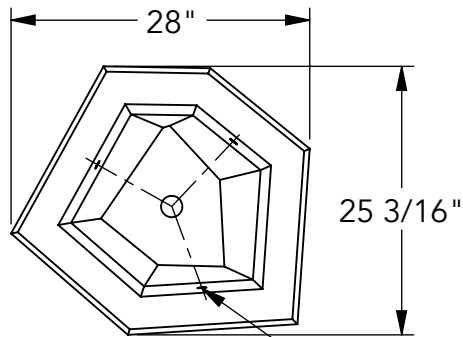
DRAWN BY: SKD DATE: 2/25/2020

CO NUMBER: -

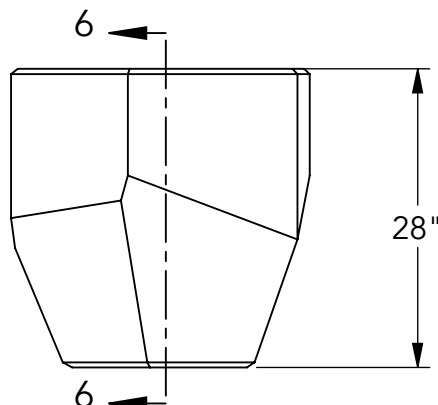
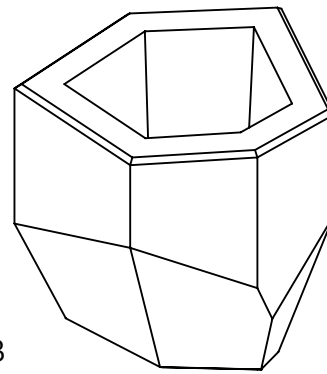
WEIGHT: 620 LBS

PRODUCT NUMBER:

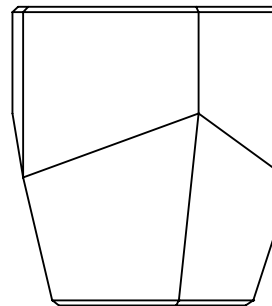
TF4360



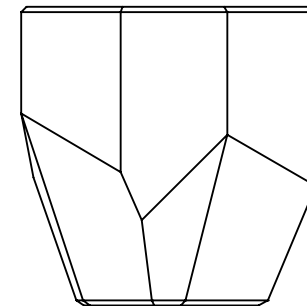
① TOP VIEW  
5/8" THIN SLAB INSERTS; CENTERED ON (3) INSIDE WALLS  
④ ISO



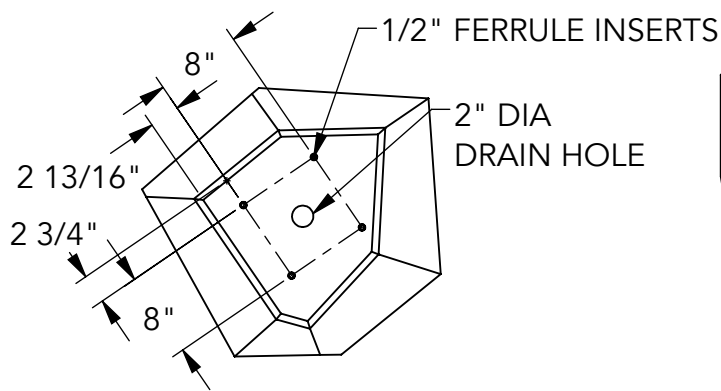
② FRONT VIEW



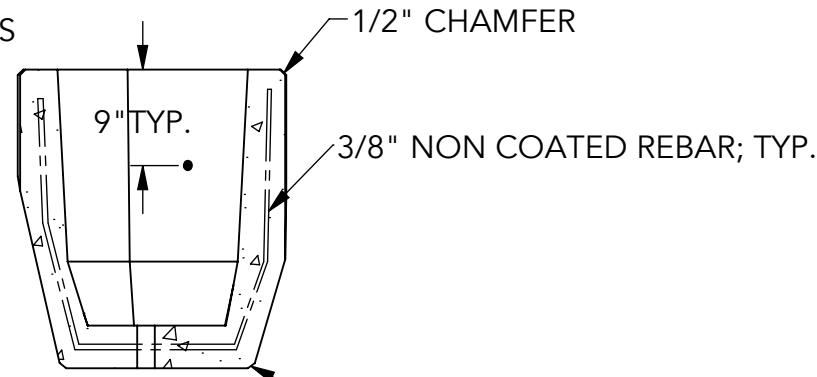
⑤ SIDE VIEW



⑦ SIDE VIEW



③ BOTTOM VIEW



⑥ SECTION