

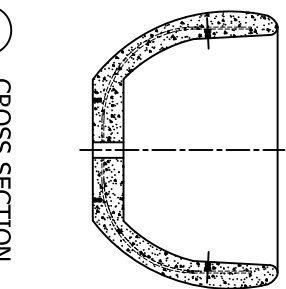


P.O. BOX 1520 WAUSAU, WI 54402-1520
 E-MAIL: SALES@WAUSAUTILE.COM
 WAUSAUTILE.COM
 WEB SITE: WWW.WAUSAUTILE.COM

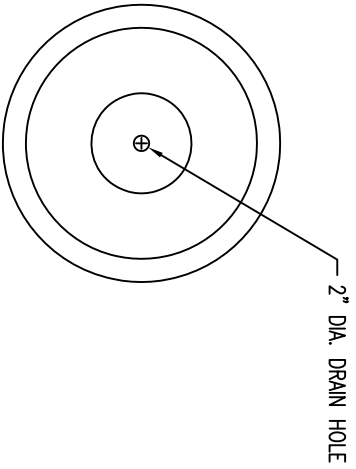
REVISIONS

1	NAME	DATE	NOTES
2			
3			
4			
5			
6			
7			
8			

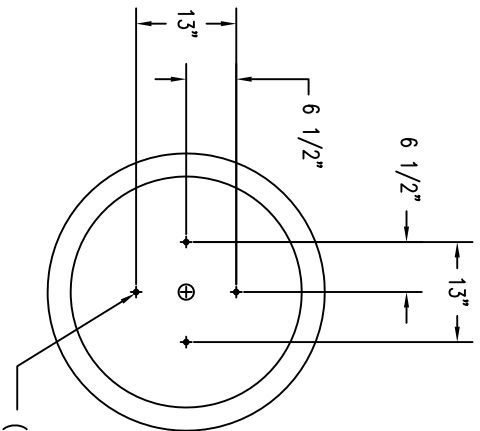
THESE DRAWING SPECIFICATIONS AND OTHER INFORMATION ARE THE PROPERTY OF WAUSAU TILE, INC. THE DRAWINGS HEREON SHALL BELONG TO THE OWNER OF THE PROJECT AND SHALL BE KEPT CONFIDENTIAL AND PROPRIETARY PROPERTY OF WAUSAU TILE, INC. ANY ADDITIONAL USE SHALL REQUIRE THE PRIOR WRITTEN APPROVAL OF WAUSAU TILE, INC. THE PROPRIETARY INFORMATION CONTAINED HEREIN IS THE PROPERTY OF WAUSAU TILE, INC. AND SHALL REMAIN THE SOLE PROPERTY OF WAUSAU TILE, INC.



4 CROSS SECTION

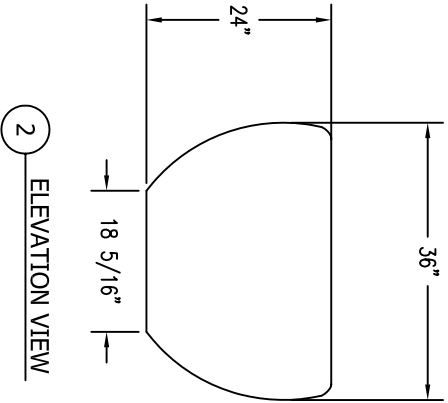


1 TOP VIEW



3 BOTTOM VIEW

(4) 1/2"-13 UNC S/S INSERTS



2 ELEVATION VIEW

JOB NAME
 ADDRESS
 CITY, STATE ZIP

UNLESS OTHERWISE SPECIFIED
 DIMENSIONS ARE IN INCHES
 FINISHES AS SHOWN

DRAWN BY: SK
 DATE: 7/14/15
 CD NUMBER: J
 WEIGHT: 750 LBS

PRODUCT NO.
 TF 4352