

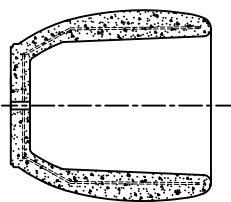


P.O. BOX 1520 WAUSAU, WI 54402-1520
 E-MAIL: SALES@WAUSAUTILE.COM
 FAX: 715/785-4351
 WEB SITE: WWW.WAUSAUTILE.COM

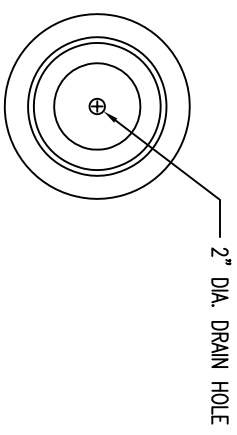
REVISIONS

NO.	NAME	DATE	NOTES
1			
2			
3			
4			
5			
6			
7			
8			

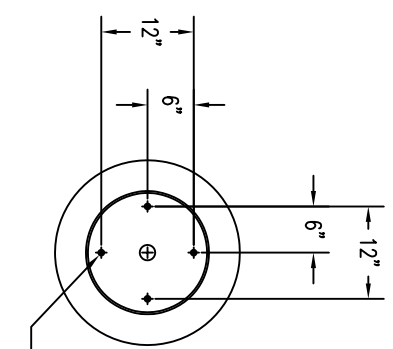
THESE DRAWING SPECIFICATIONS AND OTHER INFORMATION ARE THE PROPERTY OF WAUSAU TILE, INC. THE DRAWINGS AND SPECIFICATIONS SHALL BE THE PROPERTY OF WAUSAU TILE, INC. THE PROPRIETARY INFORMATION AND TRADE SECRETS OF WAUSAU TILE, INC. SHALL REMAIN THE SOLE PROPERTY OF WAUSAU TILE, INC. ANY ADDITIONAL USE SHALL REQUIRE THE PRIOR WRITTEN APPROVAL OF WAUSAU TILE, INC. THE PROPRIETARY INFORMATION AND TRADE SECRETS OF WAUSAU TILE, INC. SHALL REMAIN THE SOLE PROPERTY OF WAUSAU TILE, INC.



4 CROSS SECTION

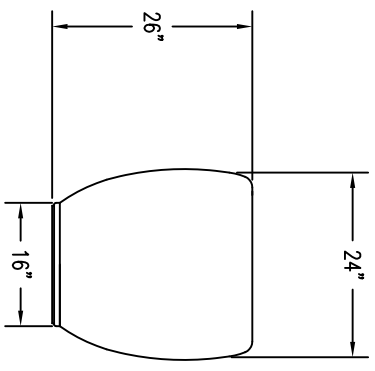


1 TOP VIEW



3 BOTTOM VIEW

(4) 1/2"-13 UNC S/S INSERTS



2 ELEVATION VIEW

JOB NAME
 ADDRESS
 CITY, STATE ZIP

UNLESS OTHERWISE SPECIFIED
 DIMENSIONS ARE IN INCHES
 FINISHES AS SHOWN

DRAWN BY: SK
 DATE: 7/14/15
 CD NUMBER: J
 WEIGHT: 480 LBS

PRODUCT NO.
TF 4351