

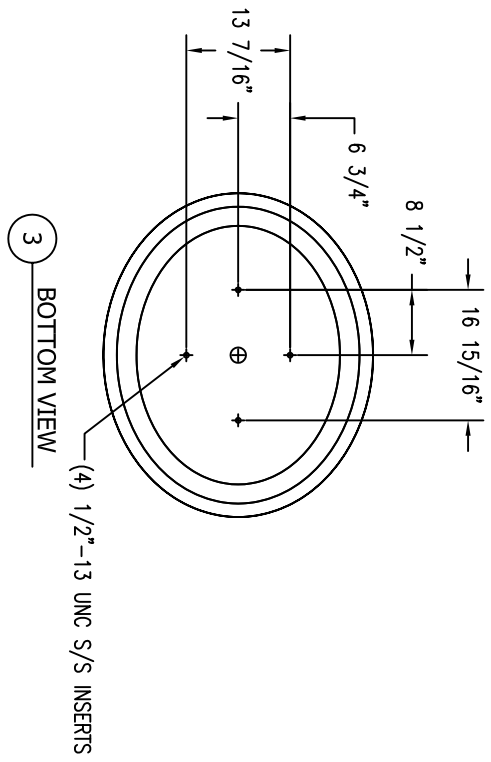
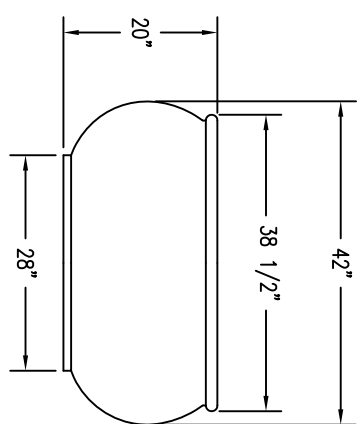
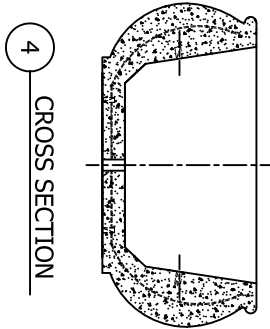
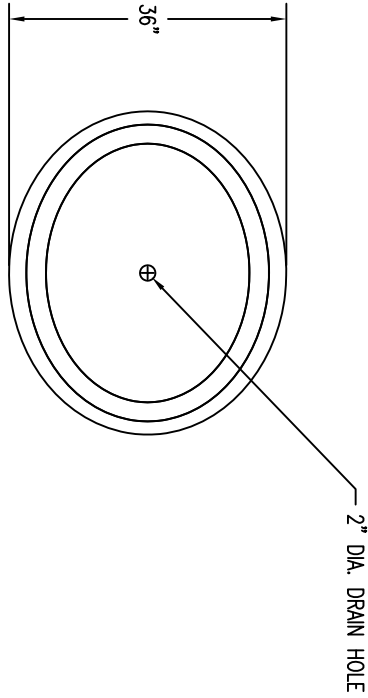


P.O. BOX 1520 WAUSAU, WI 54402-1520
 E-MAIL: SALES@MAUSAUTILE.COM
 WEB SITE: WWW.MAUSAUTILE.COM

REVISIONS

NAME	DATE	NOTES
1		
2		
3		
4		
5		
6		
7		
8		

THESE DRAWING SPECIFICATIONS AND OTHER INFORMATION AND ACCOMPANYING THEM ARE THE CONFIDENTIAL AND PROPRIETARY PROPERTY OF WAUSAU TILE, INC. THE DRAWINGS HEREON SHALL BELONG TO THE OWNER AND SHALL BE KEPT IN STRICTLY CONFIDENTIAL. NO PART OF ANY ADDITIONAL USE SHALL REQUIRE THE PRIOR WRITTEN APPROVAL OF WAUSAU TILE, INC. THE PROPRIETARY INFORMATION CONTAINED WITHIN THE DRAWINGS AND THIS DOCUMENT SHALL REMAIN THE SOLE PROPERTY OF WAUSAU TILE, INC.



JOB NAME _____
 ADDRESS _____
 CITY, STATE ZIP _____

UNLESS OTHERWISE SPECIFIED
 DIMENSIONS ARE IN INCHES
 FINISHES: F1/2"

DRAWN BY: SK
 DATE: 7/14/15
 CD NUMBER: J
 WEIGHT: 670 LBS

PRODUCT NO.
TF 4341