



P.O. BOX 1520 WAUSAU, WI 54402-1520  
 E-MAIL: [SALES@WAUSAUTILE.COM](mailto:SALES@WAUSAUTILE.COM)  
 WEB SITE: [WWW.WAUSAUTILE.COM](http://WWW.WAUSAUTILE.COM)

REVISIONS

1	NAME	DATE	NOTES
2			
3			
4			
5			
6			
7			
8			

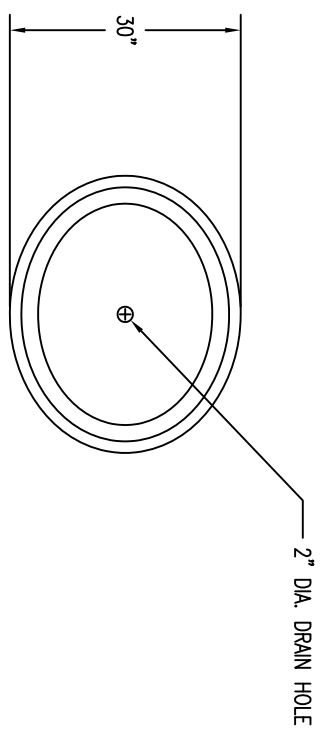
THESE DRAWING SPECIFICATIONS AND OTHER INFORMATION ARE THE PROPERTY OF WAUSAU TILE, INC. THE DRAWINGS AND SPECIFICATIONS SHALL BE THE PROPERTY OF WAUSAU TILE, INC. THE PROPRIETARY INFORMATION AND TRADE SECRETS OF WAUSAU TILE, INC. THE PROPRIETARY INFORMATION AND TRADE SECRETS OF WAUSAU TILE, INC. THE PROPRIETARY INFORMATION AND TRADE SECRETS OF WAUSAU TILE, INC.

JOB NAME  
 ADDRESS  
 CITY, STATE ZIP

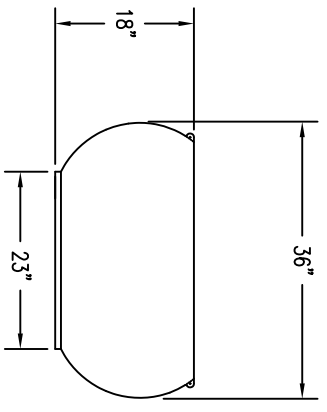
UNLESS OTHERWISE SPECIFIED  
 DIMENSIONS ARE IN INCHES  
 FINISHES 4/16"

DRAWN BY: SK  
 DATE: 7/15/15  
 CD NUMBER: 7  
 WEIGHT: 495 LBS

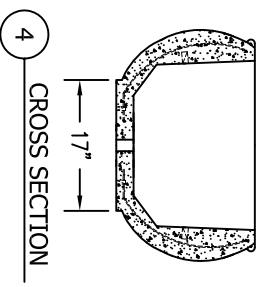
PRODUCT NO.  
**TF 4340**



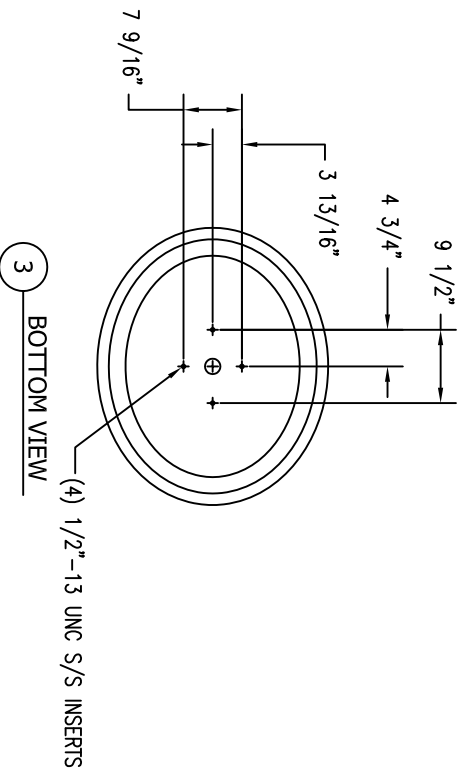
1 TOP VIEW



2 ELEVATION VIEW



4 CROSS SECTION



3 BOTTOM VIEW

(4) 1/2"-13 UNC S/S INSERTS