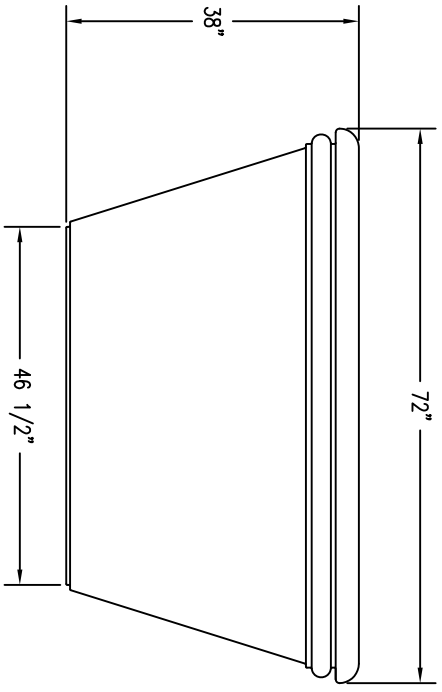
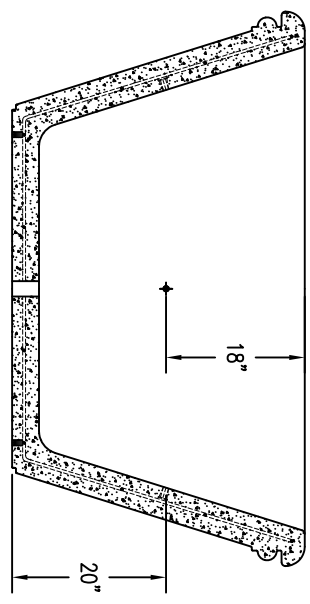


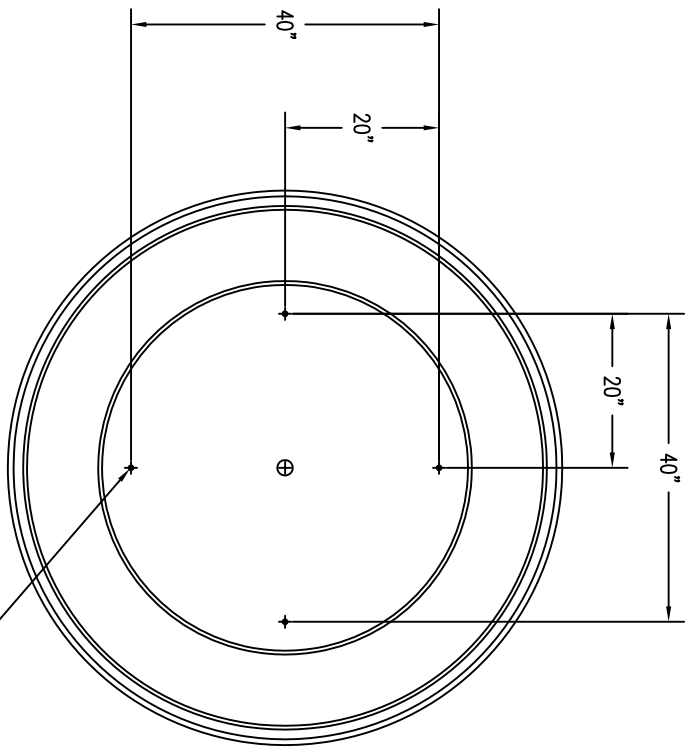
1 TOP VIEW



2 ELEVATION VIEW



4 CROSS SECTION



3 BOTTOM VIEW  
(4) 1/2-13 INSERTS

**WAUSAU TILE**  
 P.O. BOX 1520 WAUSAU, WI 54402-1520  
 E-MAIL: SALES@WAUSAUTILE.COM  
 FAX: 715-785-4309  
 WEB SITE: WWW.WAUSAUTILE.COM

REVISIONS		
NO.	DATE	NOTES
1		
2		
3		
4		
5		
6		
7		
8		

THESE DRAWING, SPECIFICATIONS AND OTHER INFORMATION ARE THE PROPERTY OF WAUSAU TILE, INC. THE DRAWINGS AND SPECIFICATIONS SHALL REMAIN THE PROPERTY OF WAUSAU TILE, INC. THE PROPRIETARY INFORMATION AND TRADE SECRETS OF WAUSAU TILE, INC. ARE HEREBY PROTECTED AND SHALL REMAIN THE SOLE PROPERTY OF WAUSAU TILE, INC.

JOB NAME  
  
 ADDRESS  
 CITY, STATE ZIP

UNLESS OTHERWISE SPECIFIED  
 DIMENSIONS ARE IN INCHES  
 FINISHES AS SHOWN

DRAWN BY: SK  
 DATE: 7/24/15  
 CD NUMBER: 7  
 WEIGHT: 2.850 LBS

PRODUCT NO.  
**TF 4309**