



P.O. BOX 1520 WAUSAU, WI 54402-1520
 E-MAIL: WATERMAN@WATILE.COM
 WEB SITE: WWW.WATILE.COM

REVISIONS		
NAME	DATE	NOTES
1		
2		
3		
4		
5		
6		
7		
8		

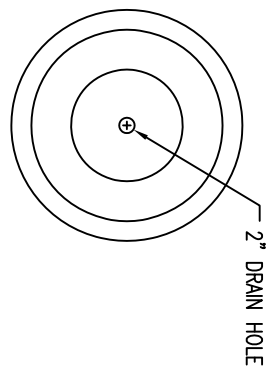
THESE DRAWING SPECIFICATIONS AND OTHER INFORMATION ARE THE PROPERTY OF WAUSAU TILE, INC. THE DRAWINGS AND SPECIFICATIONS SHALL BE THE PROPERTY OF WAUSAU TILE, INC. THE PROPRIETARY INFORMATION AND TRADE SECRETS OF WAUSAU TILE, INC. SHALL REMAIN THE SOLE PROPERTY OF WAUSAU TILE, INC.

JOB NAME
 ADDRESS
 CITY, STATE ZIP

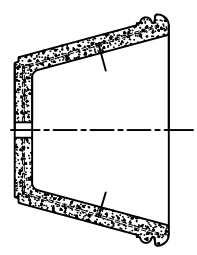
UNLESS OTHERWISE SPECIFIED
 DIMENSIONS ARE IN INCHES
 FINISHES 4/16"

DRAWN BY: SK
 DATE: 7/24/15
 CD NUMBER: F
 WEIGHT: 330 LBS

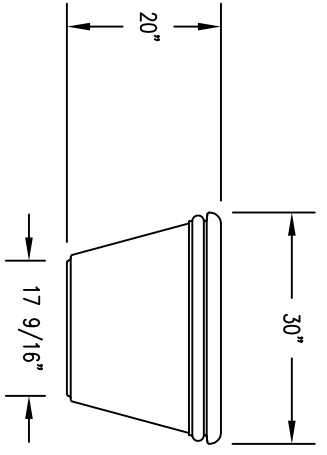
PRODUCT NO.
TF 4307



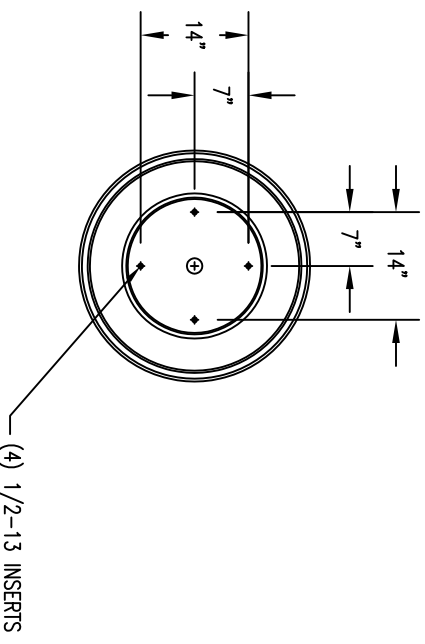
1 TOP VIEW



4 CROSS SECTION



2 ELEVATION VIEW



3 BOTTOM VIEW

(4) 1/2-13 INSERTS