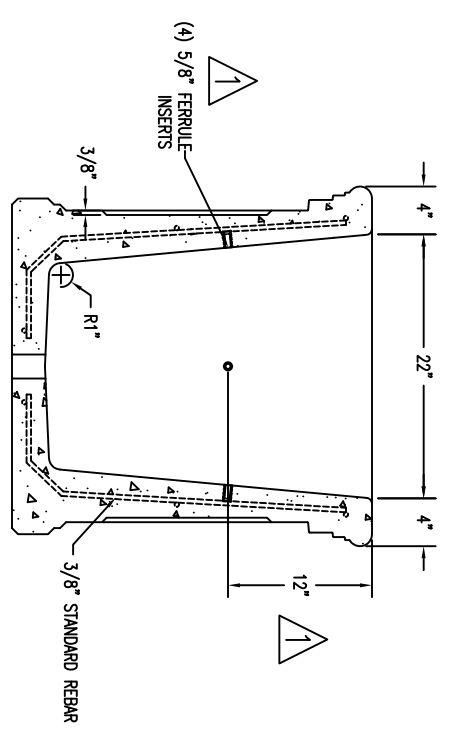
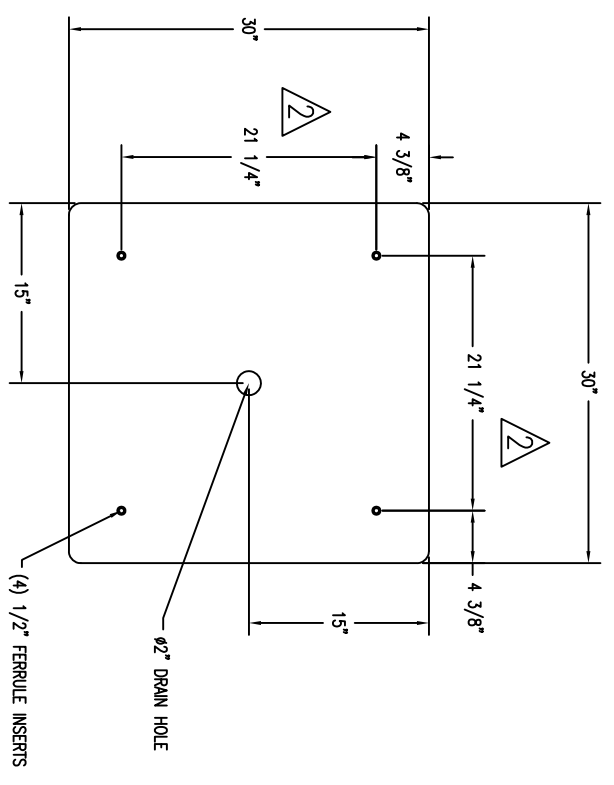


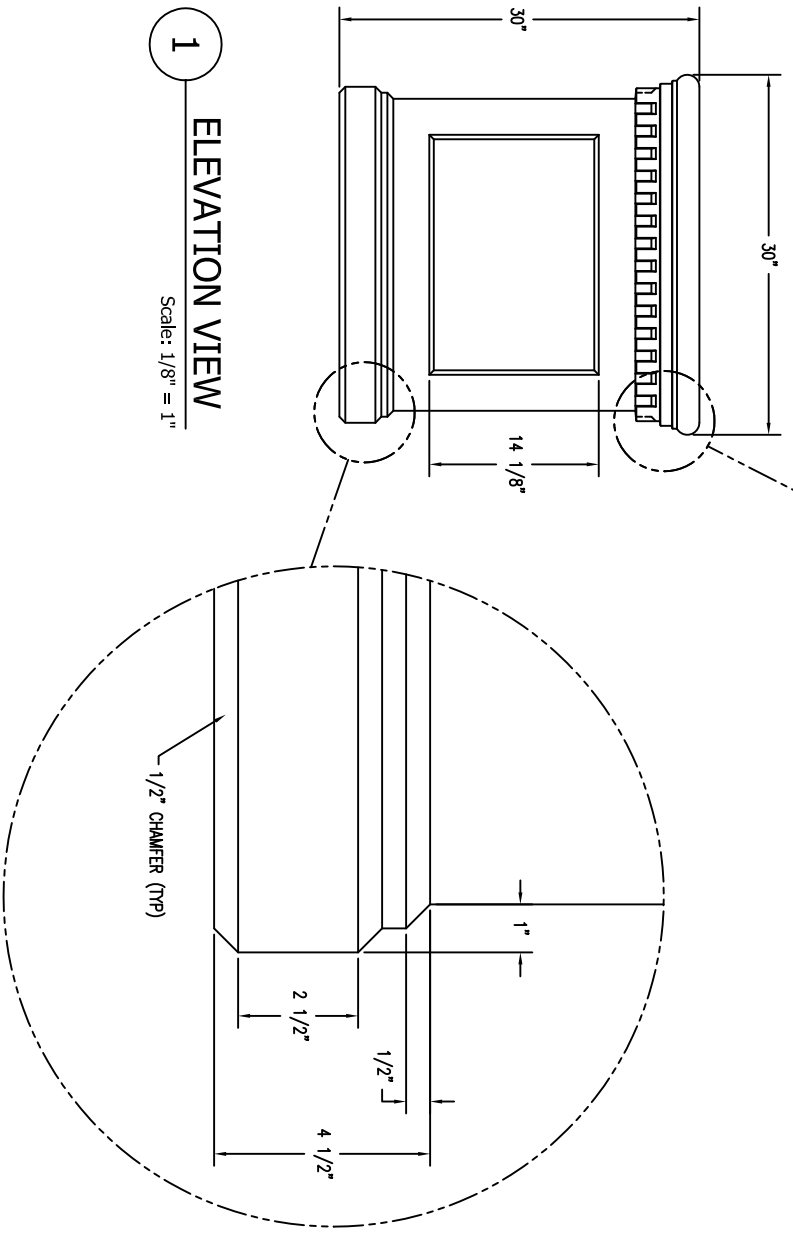
2 PLAN VIEW
Scale: 1/8" = 1"



4 SECTION VIEW
Scale: 1/8" = 1"



3 BOTOM VIEW
Scale: 1/8" = 1"



1 ELEVATION VIEW
Scale: 1/8" = 1"

MAUSAU TILE SITE FURNISHINGS		DRAWN BY: JSP		JOB NO.:		MATERIAL: CONCRETE	
P.O. BOX 1520 MUSKIE, KOSCIUSKO 5402-1520 900/286-9728		TITLE:		JOB NO.:		WEIGHT:	
E-MAIL: INTERN@MAUSAU.COM		SCALE:		DATE: 05/17/2011		FINISH OPTIONS:	
WEB SITE: WWW.MAUSAU.COM		REV 1		DESCRIPTION: MOVED INSERTS FROM 9" TO 12" DOWN		DWG. NO. TF 4245	
UNLESS OTHERWISE SPECIFIED DIMENSIONS ARE IN INCHES FRACTIONS 1/8"		REV 2		DESCRIPTION: MOVED INSERT LOCATION ON BOTTOM OF PLANTER.		DATE: 6/24/2011	
		REV 1		DESCRIPTION: CHANGED 1/2" INSERTS TO 5/8" AND MOVED INSERTS FROM 9" TO 12" DOWN		DATE: 6/24/2011	