

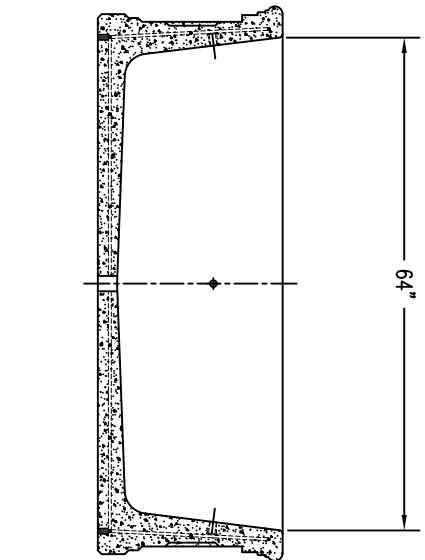


P.O. BOX 1520 WAUSAU, WI 54402-1520
 E-MAIL: SALES@MAUSAU-TILE.COM
 WEB SITE: WWW.MAUSAU-TILE.COM

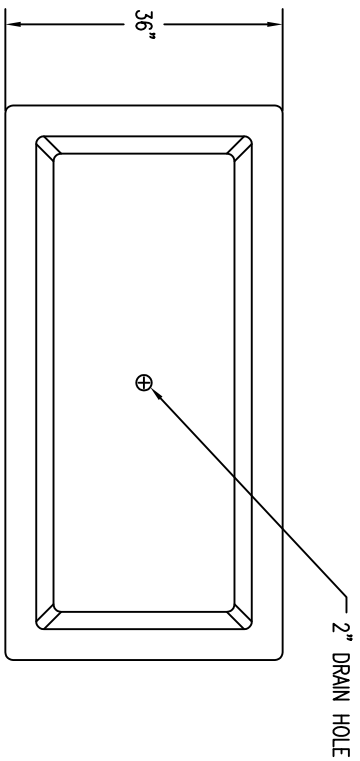
REVISIONS

1	NAME	DATE	NOTES
2			
3			
4			
5			
6			
7			
8			

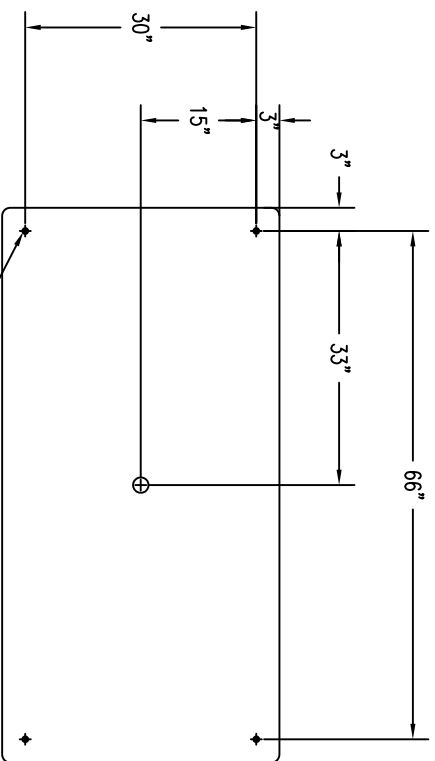
THESE DRAWING, SPECIFICATIONS AND OTHER INFORMATION ARE THE PROPERTY OF MAUSAU TILE, INC. THE DRAWINGS AND SPECIFICATIONS SHALL BELONG TO THE MAUSAU TILE, INC. THE PROPRIETARY INFORMATION AND TRADE SECRETS OF MAUSAU TILE, INC. THE PROPRIETARY INFORMATION AND TRADE SECRETS OF MAUSAU TILE, INC. THE PROPRIETARY INFORMATION AND TRADE SECRETS OF MAUSAU TILE, INC. THE PROPRIETARY INFORMATION AND TRADE SECRETS OF MAUSAU TILE, INC.



4 CROSS SECTION

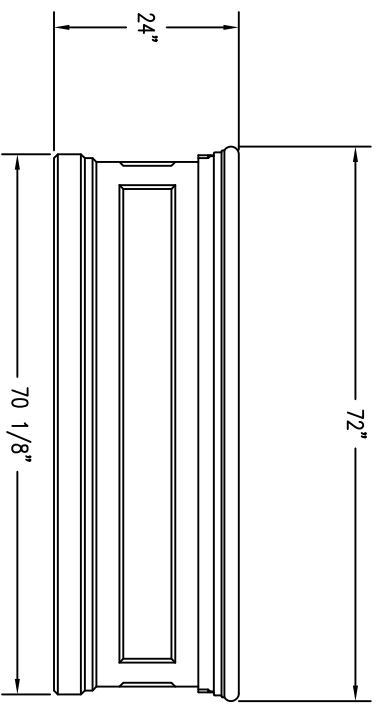


1 TOP VIEW



3 BOTTOM VIEW

2 ELEVATION VIEW



JOB NAME
 ADDRESS
 CITY, STATE ZIP

UNLESS OTHERWISE SPECIFIED
 DIMENSIONS ARE IN INCHES
 FINISHES: 4/16"
 DRAWN BY: SK
 DATE: 7/20/15
 CO NUMBER: 7
 WEIGHT: 1.775 LBS
 PRODUCT NO.
TF 4238