



P.O. BOX 1520 WAUSAU, WI 54402-1520  
 E-MAIL: WAUSAUTILE@GMAIL.COM  
 WEB SITE: WWW.WUSAUTILE.COM

REVISIONS

NAME	DATE	NOTES
1		
2		
3		
4		
5		
6		
7		
8		

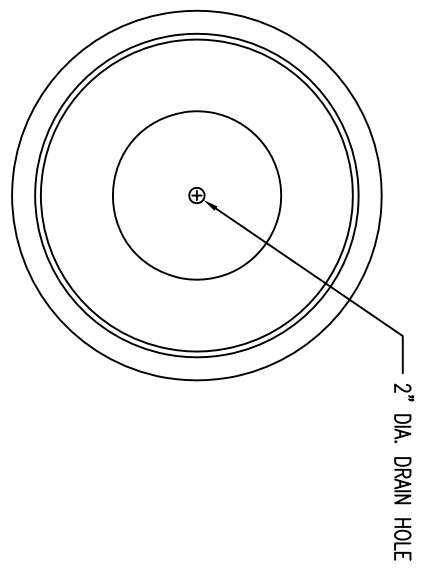
THESE DRAWING SPECIFICATIONS AND OTHER INFORMATION AND ACCOMPANYING THEM ARE THE CONFIDENTIAL AND PROPRIETARY PROPERTY OF WAUSAU TILE, INC. THE DRAWINGS HEREIN SHALL BELONG TO THE OWNER AND SHALL REMAIN THE PROPERTY OF WAUSAU TILE, INC. THE PROPRIETARY INFORMATION CONTAINED WITHIN THE DRAWINGS AND THIS DOCUMENT SHALL REMAIN THE SOLE PROPERTY OF WAUSAU TILE, INC.

JOB NAME  
 ADDRESS  
 CITY, STATE ZIP

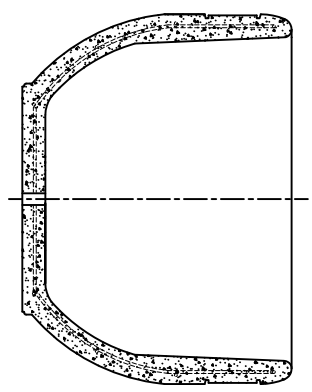
UNLESS OTHERWISE SPECIFIED  
 DIMENSIONS ARE IN INCHES  
 FINISHES 4/16"

DRAWN BY: SK  
 DATE: 7/8/15  
 CD NUMBER: ?  
 WEIGHT: 1,350 LBS

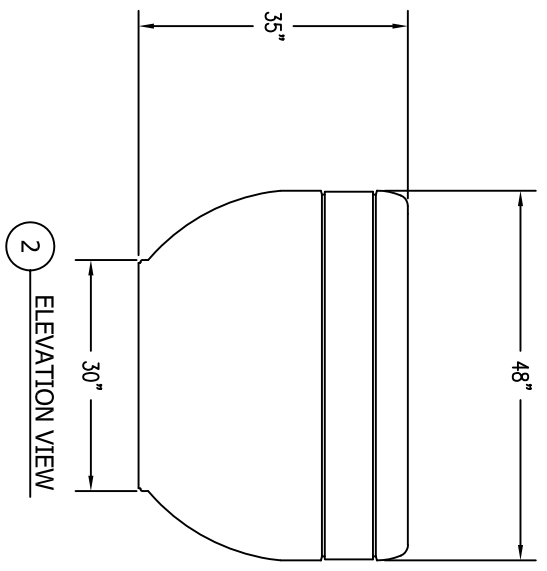
PRODUCT NO.  
**TF 4229**



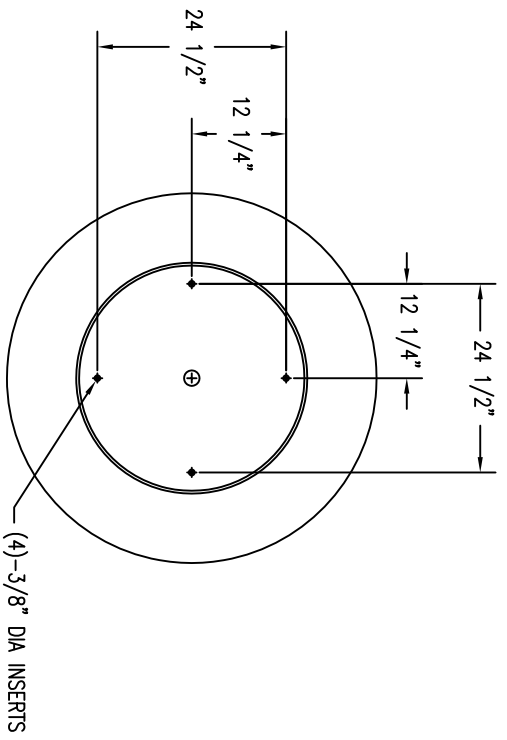
1 TOP VIEW



4 CROSS SECTION



2 ELEVATION VIEW



3 BOTTOM VIEW

(4)-3/8" DIA INSERTS