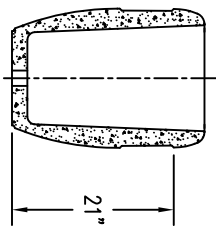
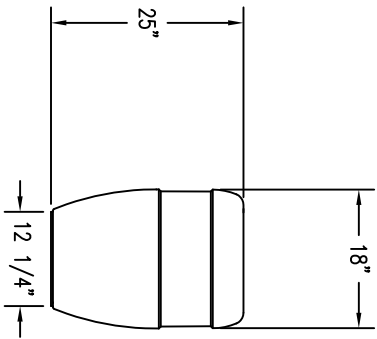


2" DIA. DRAIN HOLE

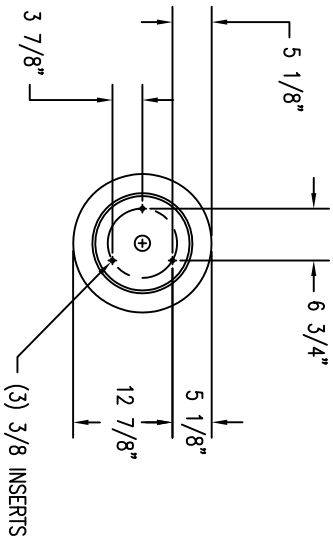
1 TOP VIEW



4 CROSS SECTION



2 ELEVATION VIEW



3 BOTTOM VIEW

**WAUSAU TILE**  
 P.O. BOX 1520 WAUSAU, WI 54402-1520  
 E-MAIL: WAUSAUTILE@WAUSAUTILE.COM  
 WEB SITE: WWW.WUSAUTILE.COM

REVISIONS		
NAME	DATE	NOTES
1		
2		
3		
4		
5		
6		
7		
8		

THESE DRAWING SPECIFICATIONS AND OTHER INFORMATION ACCOMPANYING THEM ARE THE CONFIDENTIAL AND PROPRIETARY PROPERTY OF WAUSAU TILE, INC. THE DRAWINGS HEREIN SHALL BELONG TO THE OWNER AND SHALL REMAIN THE PROPERTY OF WAUSAU TILE, INC. THE PROPRIETARY INFORMATION CONTAINED HEREIN IS UNCLASSIFIED AND NOT CONTROLLED BY THE DRAWINGS AND THE TRADE SECRETS OF WAUSAU TILE, INC.

JOB NAME \_\_\_\_\_  
 ADDRESS \_\_\_\_\_  
 CITY, STATE ZIP \_\_\_\_\_

UNLESS OTHERWISE SPECIFIED  
 DIMENSIONS ARE IN INCHES  
 FINISHES 4 1/8"

DRAWN BY: SK  
 DATE: 7/9/15  
 CD NUMBER: ?  
 WEIGHT: 300 LBS

PRODUCT NO.  
**TF 4219**