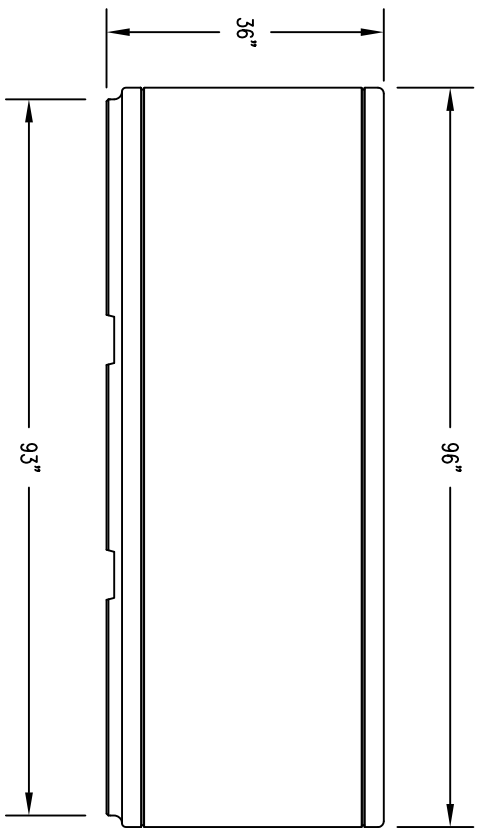
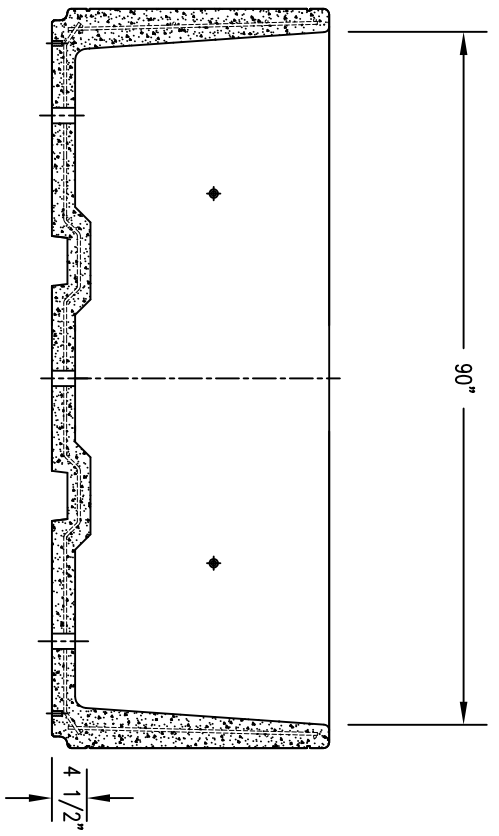


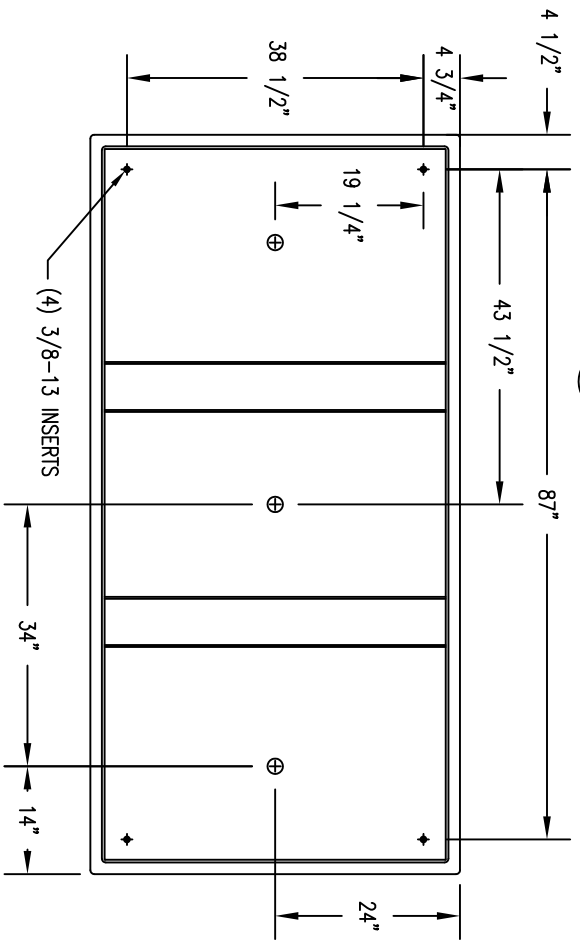
1 TOP VIEW



2 ELEVATION VIEW



4 CROSS SECTION



3 BOTTOM VIEW

**MAUSAU TILE**  
 P.O. BOX 1520 WAUSAU, WI 54402-1520  
 E-MAIL: [WATERMAN@MAUSAU.COM](mailto:WATERMAN@MAUSAU.COM)  
 WEB SITE: [WWW.MAUSAU.COM](http://WWW.MAUSAU.COM)

REVISIONS		
1	NAME	DATE
2		
3		
4		
5		
6		
7		
8		

THESE DRAWING SPECIFICATIONS AND OTHER INFORMATION ARE THE CONFIDENTIAL AND PROPRIETARY PROPERTY OF WAUSAU TILE, INC. THE DRAWINGS HEREON SHALL BELONG TO THE OWNER OF THE PROJECT AND SHALL BE KEPT IN STRICTLY CONFIDENTIAL. NO REPRODUCTION OR ANY ADDITIONAL USE SHALL BE MADE WITHOUT THE WRITTEN APPROVAL OF WAUSAU TILE, INC. THE PROPRIETARY INFORMATION CONTAINED HEREIN IS THE PROPERTY OF WAUSAU TILE, INC.

JOB NAME  
 ADDRESS  
 CITY, STATE ZIP

UNLESS OTHERWISE SPECIFIED  
 DIMENSIONS ARE IN INCHES  
 FINISHES 3/16"

DRAWN BY: SK  
 DATE: 7/22/15  
 CD NUMBER: 7  
 WEIGHT: 4,300 LBS

PRODUCT NO.  
**TF 4213**