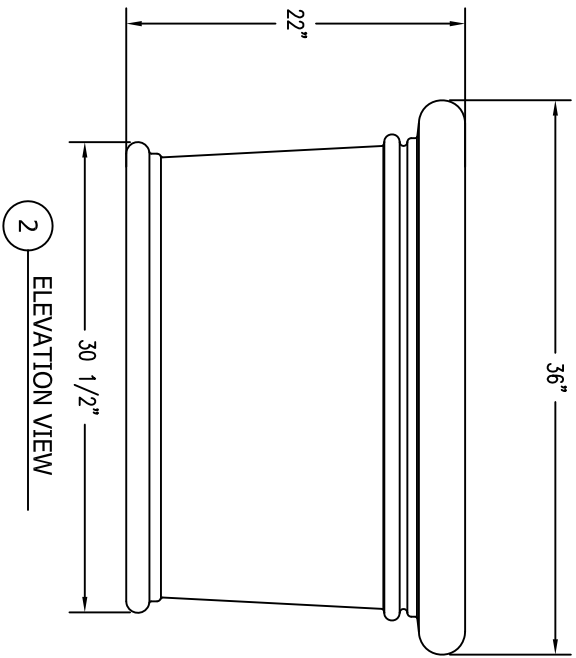
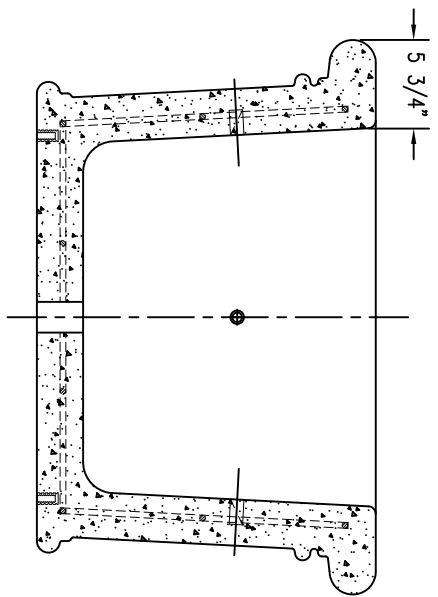


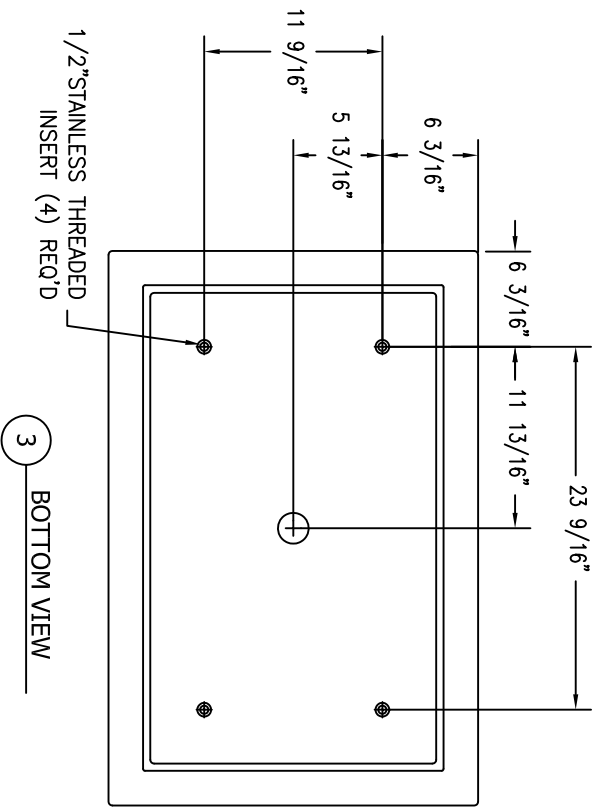
1 TOP VIEW



2 ELEVATION VIEW



4 CROSS SECTION



3 BOTTOM VIEW

WASAU TILE
 P.O. BOX 1520 WASAU, WI 54402-1520
 E-MAIL: SALES@WASAU.COM
 WEB SITE: WWW.WASAU TILE.COM

REVISIONS		
NO.	DATE	NOTES
1		
2		
3		
4		
5		
6		
7		
8		

THESE DRAWING SPECIFICATIONS AND OTHER INFORMATION ARE THE PROPERTY OF WASAU TILE, INC. THE DRAWINGS HEREON SHALL BELOING TO THE COMPANY AND NO PART THEREOF SHALL BE REPRODUCED OR TRANSMITTED IN ANY FORM OR BY ANY MEANS, ELECTRONIC OR MECHANICAL, INCLUDING PHOTOCOPYING, RECORDING, OR BY ANY INFORMATION STORAGE AND RETRIEVAL SYSTEM, WITHOUT THE PRIOR WRITTEN APPROVAL OF WASAU TILE, INC. THE PROPRIETARY INFORMATION CONTAINED HEREIN IS UNCLASSIFIED AND NOT CONTROLLED UNDER THE EXPORT ADMINISTRATION REGULATIONS AND IS THE SOLE PROPERTY OF WASAU TILE, INC.

JOB NAME _____
 ADDRESS _____
 CITY, STATE ZIP _____

UNLESS OTHERWISE SPECIFIED
 DIMENSIONS ARE IN INCHES
 FINISHES 4/16"

DRAWN BY: SK
 DATE: 8/7/15
 CO NUMBER: 7
 WEIGHT: 640 LBS

PRODUCT NO.
TF 4192