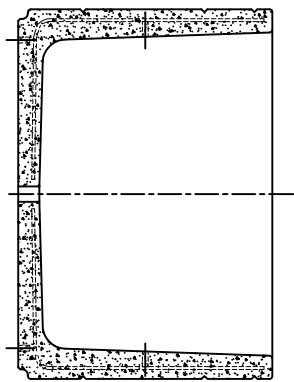
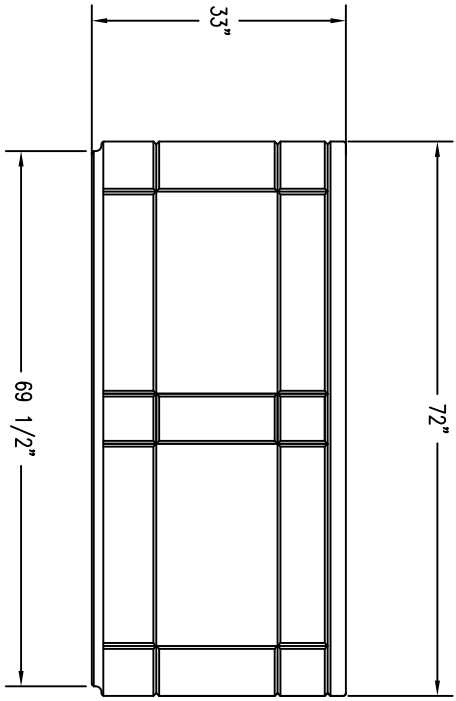


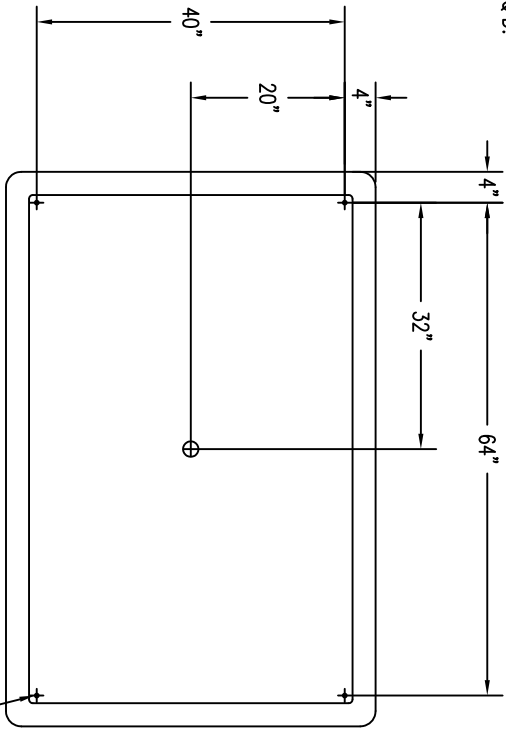
1 TOP VIEW



4 CROSS SECTION



2 ELEVATION VIEW



3 BOTTOM VIEW

WASAU TILE
 P.O. BOX 1520 WASAU, WI 54402-1520
 E-MAIL: WASAU@WASAU TILE.COM
 WEB SITE: WWW.WASAU TILE.COM

REVISIONS

1	NAME	DATE	NOTES
2			
3			
4			
5			
6			
7			
8			

THESE DRAWING SPECIFICATIONS AND OTHER INFORMATION CONTAINED HEREIN ARE THE CONFIDENTIAL AND PROPRIETARY PROPERTY OF WASAU TILE, INC. THE DRAWINGS HEREON SHALL BELONG TO THE OWNER AND SHALL BE RETURNED TO WASAU TILE, INC. PRIOR TO ANY ADDITIONAL USE. NO OTHER REPRODUCTION OR TRANSMISSION OF THIS DRAWING IS ALLOWED WITHOUT THE WRITTEN APPROVAL OF WASAU TILE, INC. THE PROPRIETARY INFORMATION CONTAINED HEREIN IS THE SOLE PROPERTY OF WASAU TILE, INC.

JOB NAME
 ADDRESS
 CITY, STATE ZIP

UNLESS OTHERWISE SPECIFIED
 DIMENSIONS ARE IN INCHES
 FINISHES 3/16"

DRAWN BY: SK
 DATE: 8/6/15
 CD NUMBER: ?
 WEIGHT: 2.80 LBS

PRODUCT NO.
TF 4183