



P.O. BOX 1520 WAUSAU, WI 54402-1520
 E-MAIL: SALES@MAUSAU TILE.COM
 WEB SITE: WWW.MAUSAU TILE.COM

REVISIONS

| 1 | NAME | DATE | NOTES |
|---|------|------|-------|
| 2 | | | |
| 3 | | | |
| 4 | | | |
| 5 | | | |
| 6 | | | |
| 7 | | | |
| 8 | | | |

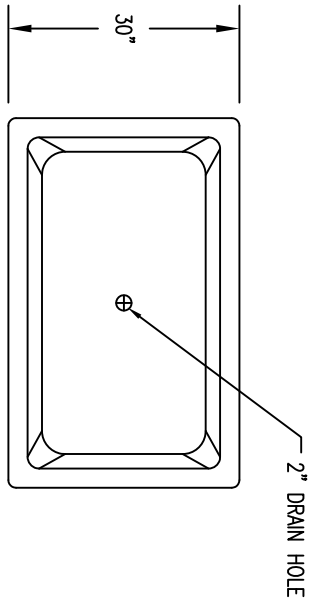
THESE DRAWING, SPECIFICATIONS AND OTHER INFORMATION ARE THE CONFIDENTIAL AND PROPRIETARY PROPERTY OF WAUSAU TILE, INC. THE DRAWINGS HEREIN SHALL BELONG TO THE OWNER OF THE PROJECT AND SHALL BE KEPT IN STRICT CONFIDENCE. NO REPRODUCTION OR ANY ADDITIONAL USE SHALL BE MADE WITHOUT THE WRITTEN APPROVAL OF WAUSAU TILE, INC. THE PROPRIETARY INFORMATION CONTAINED WITHIN THE DRAWINGS AND THIS INFORMATION IS THE SOLE PROPERTY OF WAUSAU TILE, INC.

JOB NAME
 ADDRESS
 CITY, STATE ZIP

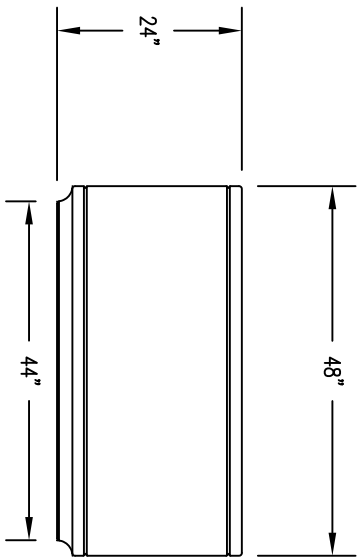
UNLESS OTHERWISE SPECIFIED
 DIMENSIONS ARE IN INCHES
 FINISHES AS SHOWN

DRAWN BY: SK
 DATE: 7/23/15
 CD NUMBER: J
 WEIGHT: 990 LBS

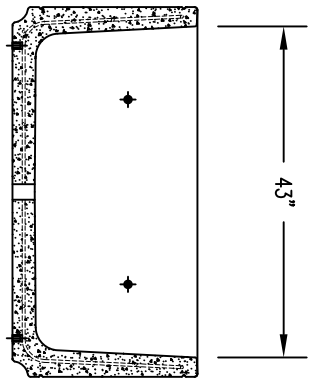
PRODUCT NO.
TF 4182



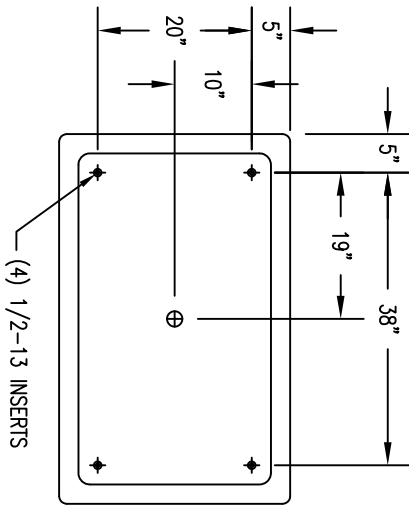
1 TOP VIEW



2 ELEVATION VIEW



4 CROSS SECTION



3 BOTTOM VIEW
 (4) 1/2-13 INSERTS