



P.O. BOX 1520 WAUSAU, WI 54402-1520
 E-MAIL: WAUSAUTILE@WAUSAUTILE.COM
 WEB SITE: WWW.WUSAUTILE.COM

REVISIONS

1	NAME	DATE	NOTES
2			
3			
4			
5			
6			
7			
8			

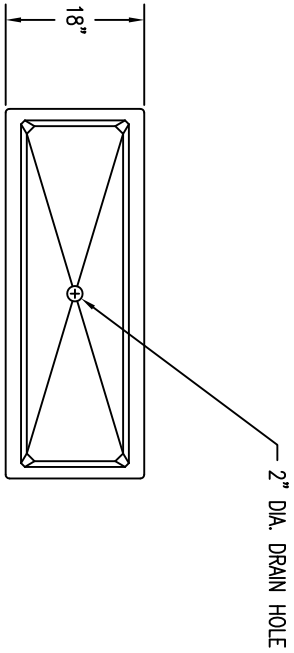
THESE DRAWING, SPECIFICATIONS AND OTHER INFORMATION ARE THE PROPERTY OF WAUSAU TILE, INC. THE DRAWINGS AND SPECIFICATIONS SHALL BELONG TO THE OWNER AND SHALL BE KEPT IN CONFIDENTIAL AND PROPRIETARY PROPERTY OF WAUSAU TILE, INC. ANY ADDITIONAL USE SHALL REQUIRE THE PRIOR WRITTEN APPROVAL OF WAUSAU TILE, INC. THE PROPRIETARY INFORMATION CONTAINED HEREIN IS UNCLASSIFIED AND IS THE SOLE PROPERTY OF WAUSAU TILE, INC.

JOB NAME
 ADDRESS
 CITY, STATE ZIP

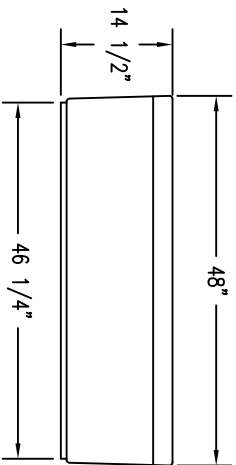
UNLESS OTHERWISE SPECIFIED
 DIMENSIONS ARE IN INCHES
 FINISHES 4 1/8"

DRAWN BY: SK
 DATE: 7/20/15
 CD NUMBER: 7
 WEIGHT: 365 LBS

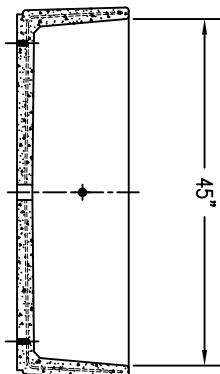
PRODUCT NO.
 SL 4160



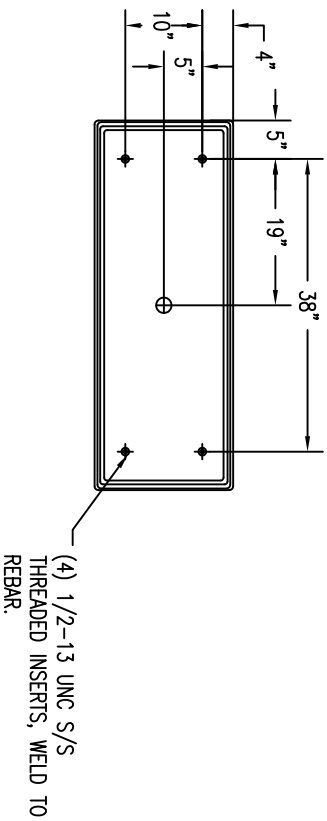
1 TOP VIEW



2 ELEVATION VIEW



4 CROSS SECTION



3 BOTTOM VIEW