

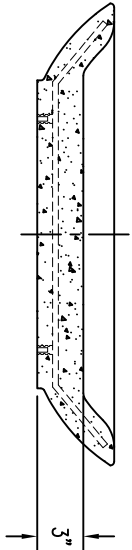
REVISIONS		
NO.	NAME	DATE
1		
2		
3		
4		
5		
6		
7		
8		

THESE DRAWINGS, SPECIFICATIONS AND OTHER INFORMATION ARE THE PROPERTY OF WAUSAU TILE, INC. THE DRAWINGS AND SPECIFICATIONS SHALL REMAIN THE PROPERTY OF WAUSAU TILE, INC. WITHOUT ANY ADDITIONAL USE SHALL REQUIRE THE PRIOR WRITTEN APPROVAL OF WAUSAU TILE, INC. THE PROPRIETARY INFORMATION CONTAINED HEREIN IS THE BUSINESS AND SOLE PROPERTY OF WAUSAU TILE, INC.

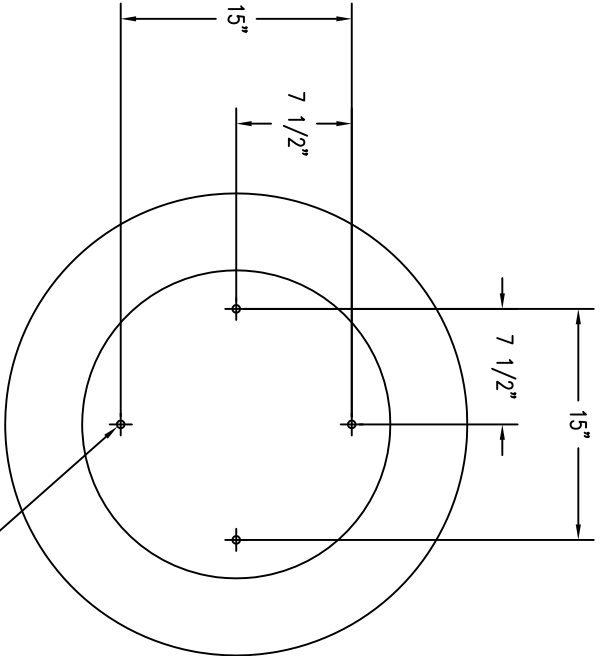
JOB NAME _____
 ADDRESS _____
 CITY, STATE ZIP _____

UNLESS OTHERWISE SPECIFIED DIMENSIONS ARE IN INCHES FRACTIONS 1/8"

DRAWN BY:	SK
DATE:	8/6/15
CD NUMBER:	7
WEIGHT:	168 LBS
PRODUCT NO.:	TF 41491

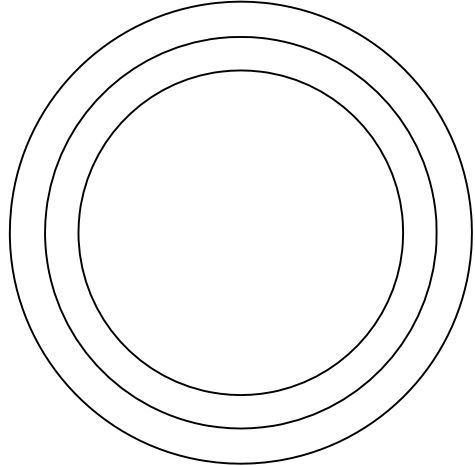


4 CROSS SECTION

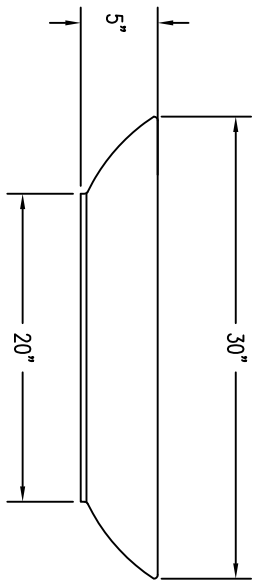


3 BOTTOM VIEW

3/8" STAINLESS THREADED INSERT (4) REQ'D



1 TOP VIEW



2 ELEVATION VIEW